

## 70LF-800 Series

Male x Female NPT Bronze Ball Valve

### LEAD FREE



Job Name:	
Job Location:	
Engineer:	
Contractor:	
Tag:	
PO#:	
Rep.:	
Wholesale Dist.:	

### DESCRIPTION

The Apollo® 70LF-800 Series is a standard port\* ball valve that eliminates the need for an extra nipple when connecting to female connections.

### FEATURES

- Lead Free\* Brass & Bronze Materials
- Distinctive White "Lead Free" Handle Grip and Blue "Lead Free" Hang Tag
- RPTFE Seats and Stem Packing
- Chromium Plated Ball
- **Designed, Manufactured and 100% Factory Tested in the USA**

### PERFORMANCE RATING

- CWP: 600 psi (41.37 Bar) at 100°F
- SWP: 150 psi (10.34 Bar) at 366°F
- Maximum Temperature: 450°F
- Vacuum Service to 29 in. Hg

### MODELS

- 70LF-840 Series - 316 SS Ball & Stem

### APPROVALS

- MSS SP-110; Ball Valves, Threaded, Socket-Welding
- Federal Specifications: WW-V-35C, Type: II
- CRN: OC10908.5C
- NSF/ANSI 61 - Water Quality
- NSF/ANSI 372 - Lead Free

### OPTIONS

- (-04) 2-1/4" CS Stem Extension 1/2" - 1-1/4"
- (-07) Steel Tee Handle 1/2" - 1-1/4"
- (-10) SS Lever & Nut 1/2" - 1-1/4"
- (-11) Therma-Seal™ Insulating Tee Handle 1/2" - 1-1/4"
- (-27) SS Latch-Lock Lever & Nut 1/2" - 1-1/4"
- (-32) SS Tee Handle 1/2" - 1-1/4"

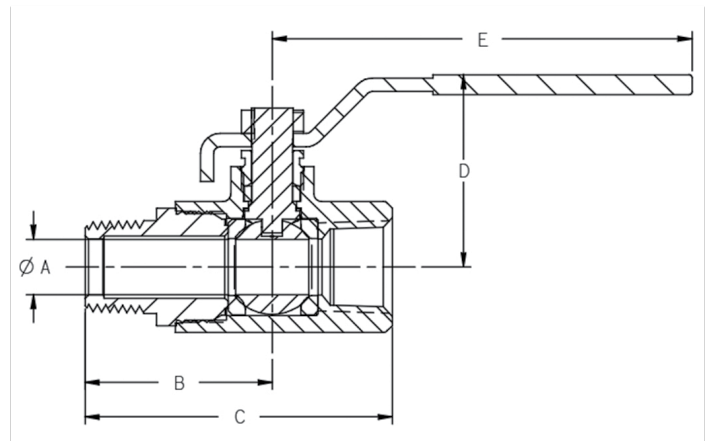
### STANDARD MATERIALS LIST

<b>LEVER / GRIP</b>	Steel, Zinc Plated w/ Vinyl Grip
<b>STEM PACKING</b>	MPTFE
<b>STEM BEARING</b>	RPTFE
<b>BALL</b>	C27451, Lead Free Brass, Cr Plated
<b>SEAT (2)</b>	RPTFE
<b>RETAINER</b>	C27451 Lead Free Brass
<b>GLAND NUT</b>	B16 Brass
<b>STEM</b>	C27451 Lead Free* Brass
<b>LEVER NUT</b>	Steel, Zinc Plated
<b>BODY</b>	C89836 Lead Free* Bronze

### DIMENSIONS

PART NUMBER	SIZE (IN.)	DIMENSIONS (IN.)					WT. (LB.)
		A	B	C	D	E	
70LF-803-01	1/2"	0.50	1.68	2.81	1.81	3.87	0.72
70LF-804-01	3/4"	0.68	2.00	3.50	2.12	4.87	1.42
70LF-805-01	1"	0.87	2.31	4.00	2.25	4.87	1.93
70LF-806-01	1-1/4"	1.00	2.31	4.31	2.62	5.50	3.19

\*1/2" model is a full-port design.



\*LEAD FREE: The wetted surfaces of this product shall contain no more than 0.25% lead by weighted average. Complies with Federal Public Law 111-380. ANSI 3rd party approved and listed.