

| | |
|------------------|--|
| Job Name: | |
| Job Location: | |
| Engineer: | |
| Contractor: | |
| Tag: | |
| PO#: | |
| Rep.: | |
| Wholesale Dist.: | |

DESCRIPTION

The Apollo® 70LF Series two-piece regular port ball valve has the same rugged features as the industry standard 70 Series valves with the added advantage of DZR lead free* materials. The 70LF is ideal for plumbing and heating systems, including potable water. Trusted Apollo® performance with a wide range of popular options.

FEATURES

- EZ-Solder™ Lead Free* Brass & Bronze Materials
- Distinctive White "Lead Free" Handle Grip and Blue "Lead Free" Hang Tag
- RPTFE Seats and Stuffing Box Ring
- Chromium Plated Ball
- **Designed, Manufactured and 100% Factory Tested in the USA**

PERFORMANCE RATING

- CWP: 600 psi (41.37 Bar) at 100°F
- SWP: 150 psi (10.34 Bar) at 366°F
- Maximum Temperature: 350°F
- Vacuum Service to 29 in. Hg

MODELS

- 70LF-100 Series - Standard
- 70LF-140 Series - 316 SS Ball & Stem

APPROVALS

- MSS SP-110 - Ball Valves Threaded, Socket-Welding, Solder Joint, Grooved and Flared Ends
- NSF/ANSI 61 - Water Quality
- NSF/ANSI 372 - Lead Free
- CRN: OC10908.5C

OPTIONS

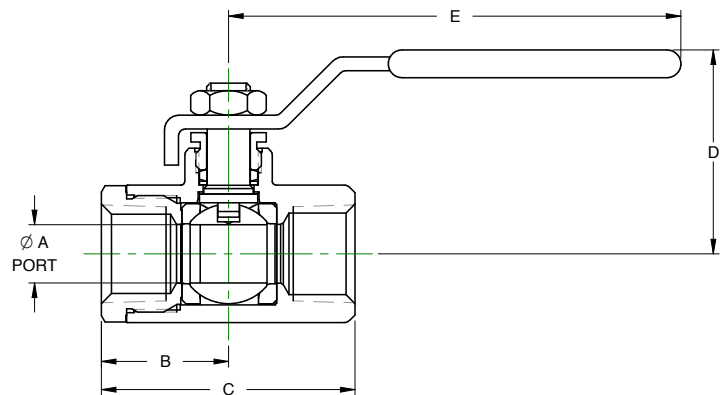
- (-04) 2-1/4" CS Stem Extension 1/4" - 3"
- (-07) Steel Tee Handle 1/4" - 2"
- (-10) SS Lever & Nut 1/4" - 3"
- (-11) Therma-Seal™ Insulating Tee Handle 1/4" - 2"
- (-27) SS Latch-Lock Lever & Nut 1/4" - 4"
- (-92) Balancing Stop 1/4" - 3"
- (-94) -04 Option & Balancing Stop 1/4" - 3"
- (-HC) Hose Cap & Chain 1/2" - 1"

STANDARD MATERIALS LIST

| | |
|---------------------|--|
| LEVER / GRIP | Steel, Zinc Plated w/ Vinyl Grip |
| STEM PACKING | MPTFE |
| STEM BEARING | RPTFE |
| BALL | C27451, Lead Free Brass, Cr Plated |
| SEAT (2) | RPTFE |
| RETAINER | C27451 Lead Free Brass (1/4" to 1") C89836 Lead Free Bronze (1-1/4" - 4") |
| GLAND NUT | B16 Brass |
| STEM | C27451 Lead Free* Brass A276-316 Stainless Steel (3" only) |
| LEVER NUT | Steel, Zinc Plated |
| BODY | C89836 Lead Free* Bronze |

DIMENSIONS

| PART NUMBER | SIZE (IN.) | DIMENSIONS (IN.) | | | | | WT. (LB.) |
|-------------|------------|------------------|------|------|------|-------|-----------|
| | | A | B | C | D | E | |
| 70LF-101-01 | 1/4" | 0.37 | 1.03 | 2.06 | 1.75 | 3.87 | 0.60 |
| 70LF-102-01 | 3/8" | 0.37 | 1.03 | 2.06 | 1.75 | 3.87 | 0.56 |
| 70LF-103-01 | 1/2" | 0.50 | 1.12 | 2.25 | 1.75 | 3.87 | 0.63 |
| 70LF-104-01 | 3/4" | 0.68 | 1.50 | 3.00 | 2.12 | 4.87 | 1.39 |
| 70LF-105-01 | 1" | 0.87 | 1.68 | 3.37 | 2.25 | 4.87 | 1.72 |
| 70LF-106-01 | 1-1/4" | 1.00 | 2.00 | 4.00 | 2.62 | 5.50 | 3.26 |
| 70LF-107-01 | 1-1/2" | 1.25 | 2.18 | 4.37 | 3.06 | 8.00 | 4.61 |
| 70LF-108-01 | 2" | 1.50 | 2.34 | 4.68 | 3.25 | 8.00 | 6.06 |
| 70LF-109-01 | 2-1/2" | 2.00 | 3.12 | 6.25 | 3.72 | 8.00 | 13.96 |
| 70LF-100-01 | 3" | 2.50 | 3.37 | 6.75 | 4.12 | 8.00 | 18.60 |
| 70LF-10A-01 | 4" | 3.12 | 3.68 | 7.37 | 5.25 | 10.00 | 25.50 |



*LEAD FREE: The wetted surfaces of this product shall contain no more than 0.25% lead by weighted average. Complies with Federal Public Law 111-380. ANSI 3rd party approved and listed.