



Job Name:	
Job Location:	
Engineer:	
Contractor:	
Tag:	
PO#:	
Rep:	
Wholesale Dist.:	

DESCRIPTION

Apollo Model VR Vacuum Relief Valves is designed to automatically vent a system should a vacuum occur. It prevents siphoning of water from the system and/or tank collapse.

FEATURES

- New Brass Poppet for Improved Strength
- Sizes 1/2" and 3/4"
- Suitable for LP Steam (15 psig max)
- Auto Vacuum Relief at Less than 1/2" Vacuum

PERFORMANCE RATING

- Maximum Pressure: 200 psig
- Maximum Temperature: 250°F

APPROVALS

- CSA 4.4/ANSI Z21.22 "Relief Valves for Hot Water Supply Systems"

OPTIONS

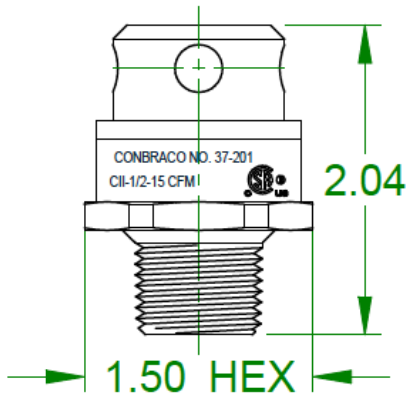
- Satin Brass Finish (-01)
- Rough Chrome Finish (-02)
- Heavy Spring (-B1)
- 1/2" Threaded Connection (37201)
- 3/4" Threaded Connection (37202)

STANDARD MATERIALS LIST

BONNET	ASTM B16 Brass DZR C27541 Brass (Lead Free)
NOZZLE	ASTM B16 Brass DZR C27541 Brass (Lead Free)
POPPET	ASTM B16 Brass DZR C27541 Brass (Lead Free)
SEAT WASHER	EPDM
SPRING	Stainless Steel
RETAINER	Glass Filled Noryl

SERIES NUMBER*	LEAD FREE SERIES NUMBER	SIZE (IN.)	VENTING CAPACITY @ 2" HG	WT./100 (LB.)
37-201-01	37LF-201-01	1/2	15 CFM	30.4
37-202-01	37LF-202-02	3/4	16 CFM	32.4

*Standard materials available until stock is depleted



*LEAD FREE: The wetted surfaces of this product shall contain no more than 0.25% lead by weighted average. Complies with Federal Public Law 111-380. ANSI 3rd party approved and listed.