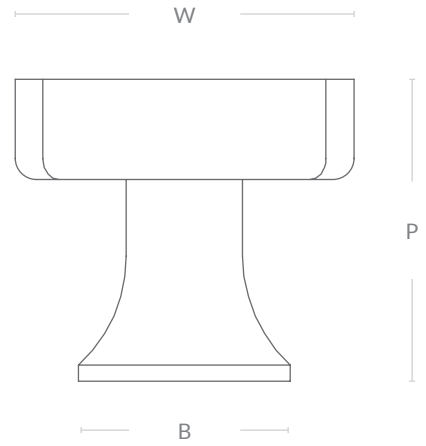


Harold Knob



Knob Code	Width (W)	Projection (P)	Base (B)
HRLK/32	32mm	28.5mm	20mm



Available in all Armac Martin finishes, & supplied with M4 breakoff screws.
Please see: www.armacmartin.co.uk/pages/our-finishes for further details.