

A³form

Technical data sheet



Washstands

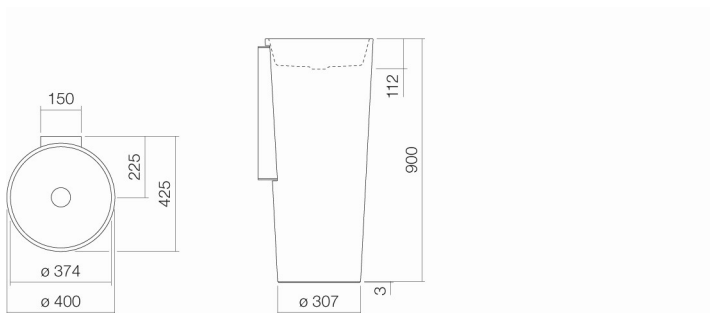
WT.RX400.CO

Article number: 4507500000

Design partner: sieger design

Features

Description	WT.RX400.CO
Article number	4507500000
Standard colour	White
Construction	without tap hole, without overflow
Dimensions	ø 400 x 900 mm
Material	Glazed steel
Net weight	23,00 kg
Installation	for wall connection
Accessoires	Mirror SP.300, Mirror SP.300.1, Mirror SP.325, Mirror SP.325.3, Design mirror SP.FR375.S1
Tap fitting information	Optimum point of impact approx. 138 – 173mm from rear edge of basin.
<small>Tap fittings with a vertical outlet and aerator provide the optimum flow of water onto the surface below (angle of impact: 90°).</small>	



Text for invitation to tender

Washstand, round, 400mm ø, glazed inside and outside, height 900mm, without tap hole and overflow, including drain valve with white glazed cap, white wall bracket and fixing set

Brand: Alape

Model: WT.RX400.CO

A³form