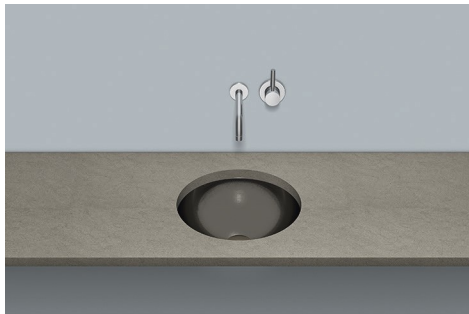


A³form

Technical data sheet



Unterbaubecken

UB.K400

Article number: 2031500190

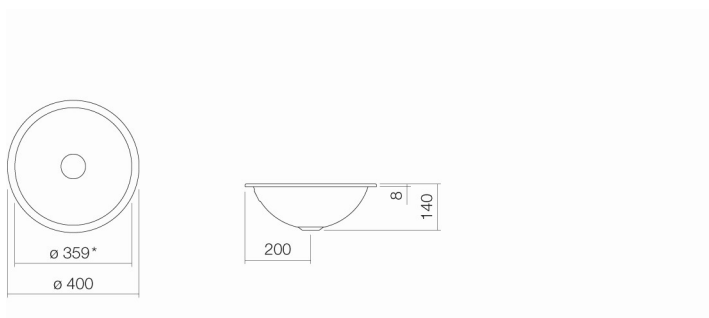
Design partner: sieger design



Features

| | |
|-------------------------|--|
| Description | UB.K400 |
| Article number | 2031500190 |
| Standard colour | Metallic / Dark Iron |
| Construction | without tap hole, without overflow |
| Dimensions | ø 359 x 140 mm |
| Material | Glazed steel |
| Net weight | 2,2 kg |
| Installation | for installation from below |
| Accessoires | Bottle trap SI.2, Bottle trap SI.3 |
| Tap fitting information | Optimum point of impact approx. 110 – 150mm from rear edge of basin. |

Tap fittings with a vertical outlet and aerator provide the optimum flow of water onto the surface below (angle of impact: 90°).



Text for invitation to tender

Undermount basin, round, mould 359mm ø, depth 140mm, glazed inside and outside, dark iron, without tap hole and overflow, including drain valve with glazed cap and fixing set

Brand: Alape

Model: UB.K400
