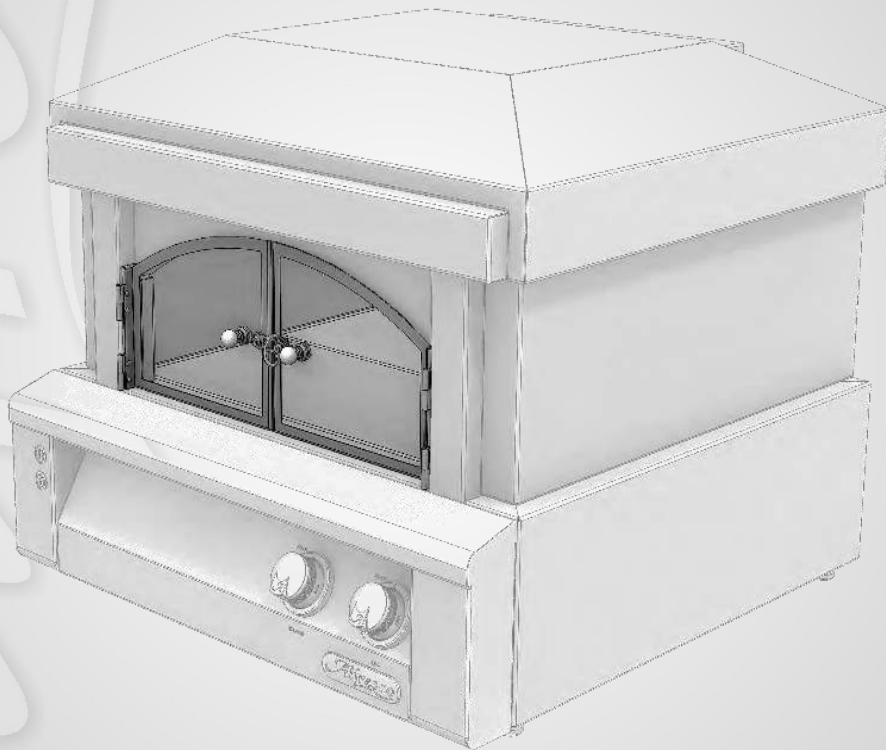


TM

AlfrescoTM

Open Air Culinary Systems



AXE-PZA-GD-KIT
Glass Door Retrofit Kit

AXE-PZA-GD-KIT

ALFRESCO GLASS DOOR RETROFIT KIT FOR AXE-PZA PIZZA OVEN.

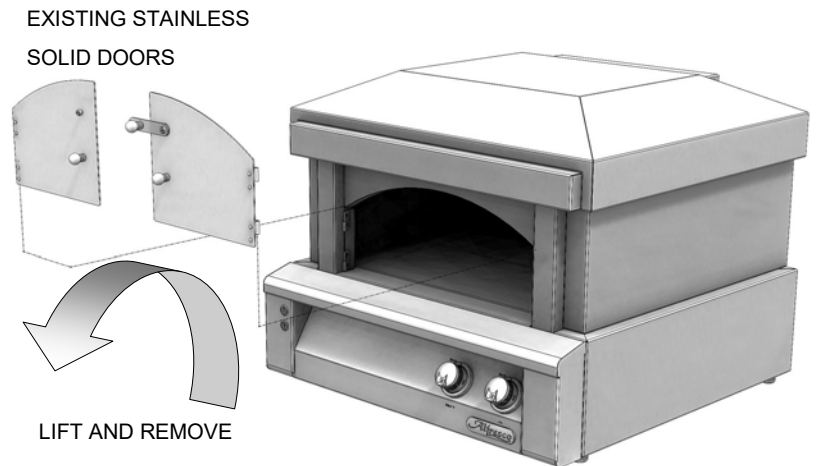
INSTALLATION INSTRUCTIONS:

WARNING: DO NOT ATTEMPT TO FOLLOW THESE PROCEDURES UNLESS THE UNIT IS COMPLETELY COOL TO THE TOUCH INSIDE OR OUTSIDE. THE UNIT CAN REMAIN VERY HOT ON THE INSIDE FOR SEVERAL HOURS AFTER COOKING.

STEP 1:

Lift and remove the existing solid stainless steel doors out of the AXE-PZA unit.

This procedure will leave only the hinge mechanism that is attached to the body of the pizza oven unit.



STEP 2:

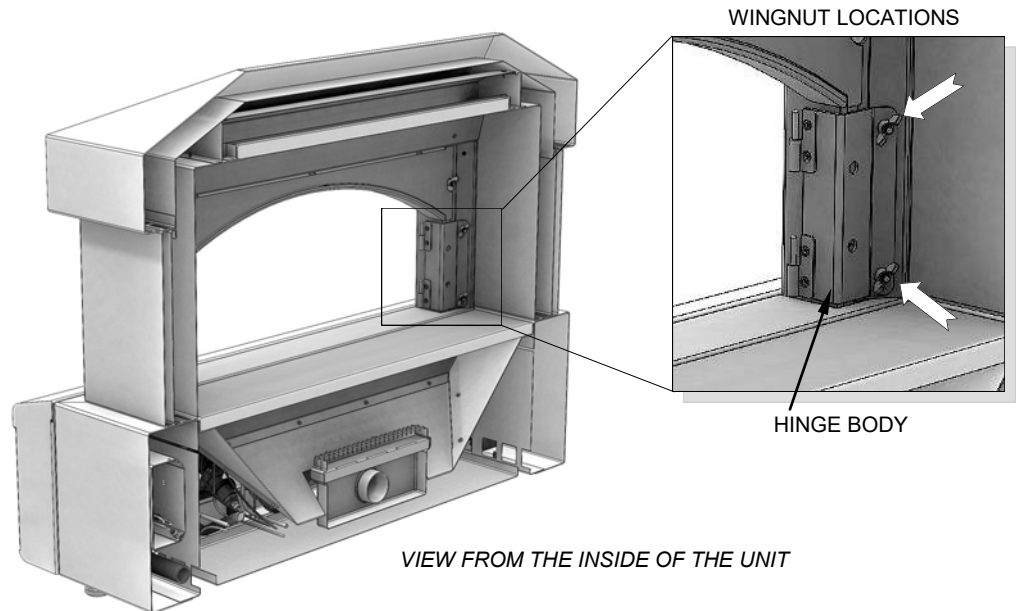
Reach inside the unit and you will find two wingnuts on each, left and right, hinge bodies.

The wingnuts are located at a 45° angle, next to the inside corners at the front of the Pizza unit as shown on the right illustration.

NOTE: If the unit has been used several times, the wingnuts might be very tight due to heating and cooling cycles. In such case, it is recommended that the wingnuts be removed while wearing safety or work gloves.

Once the wingnuts have been removed, the body of the hinge should be able to slide with ease straight out. Only the threaded studs will remain attached to the body of the AXE-PZA oven unit. Repeat this procedure for the body hinge on the opposite side of the oven unit.

Save the wingnuts as they will be required to install the new hinge assembly.

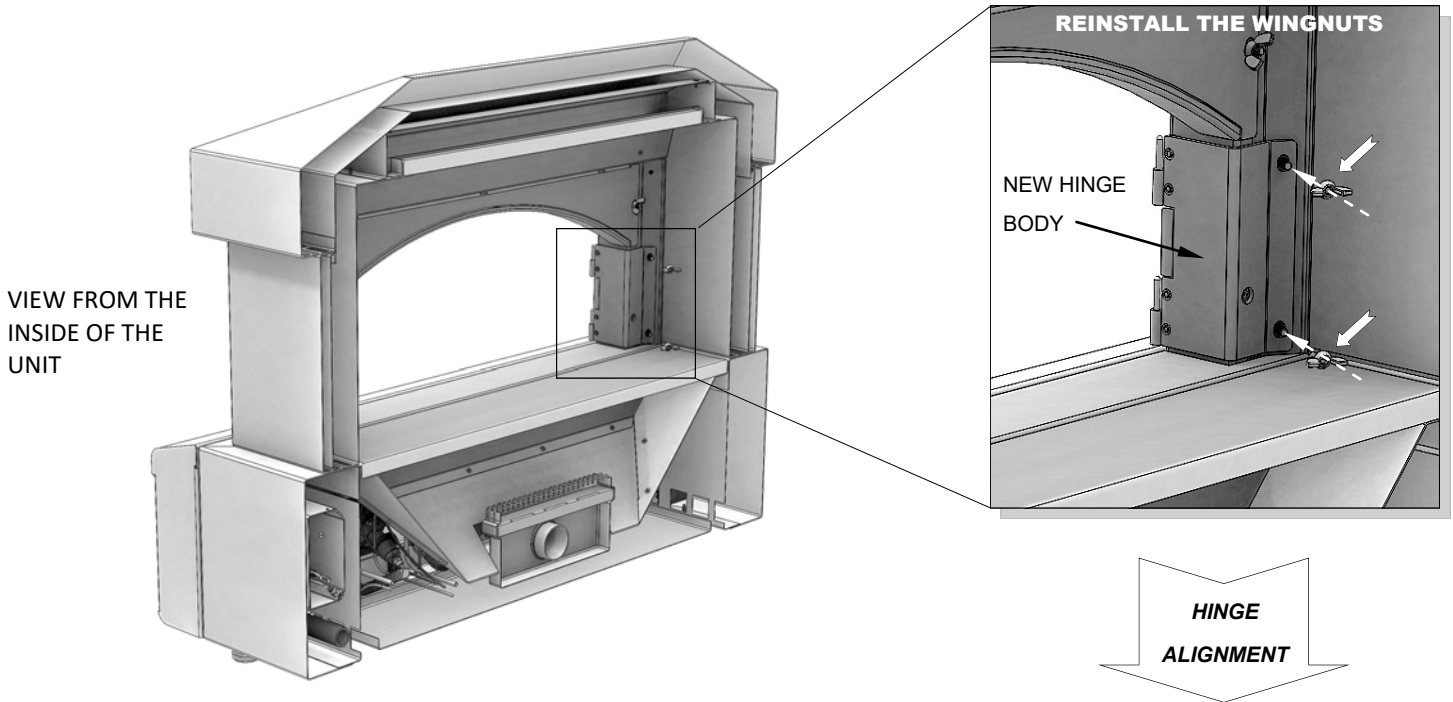


STEP 3:

Now you can reinstall the new hinge body. The new hinge body is longer (extends further to the front of the oven unit) to accommodate the new glass door thickness and it allows the doors to fully open.

You will need to install the new hinge body onto the existing threaded studs used by the solid stainless doors. Fasten the new hinge body with the wingnuts and tighten them up. (See illustration below)

NOTE: The new hinge body has larger “obround” slots than the previous stainless door hinge body. This will allow you to align the glass doors correctly when they are properly mounted. Follow Step 4 for alignment of the doors if necessary.



STEP 4: DOOR ALIGNMENT (if necessary)

Once the hinge bodies have been installed on the left and right front corners of the oven body, reinstall the new glass doors in the same fashion as the stainless doors were removed on STEP 1.

If necessary, align the doors by loosening the wingnuts.

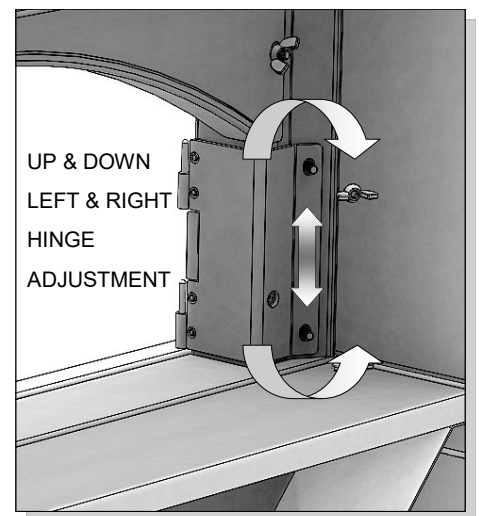
Start by loosening the bottom wingnut and slide the hinge body left ◀ or right ▶ to align the glass door. This will cause the hinge body to rotate on the top wingnut and help you to align the door properly.

Close the glass door to verify that the glass door is flat and parallel to the bottom edge of the oven cavity opening.

Repeat this procedure with the opposite side body hinge and close both doors to verify that they are level. Verify that the “gap” between both doors is parallel or that one door is not higher than the other.

If necessary, you can loosen both wingnuts and slide the entire hinge body up ▲ or down ▼ to adjust the height of both glass doors.

Once both doors are aligned correctly (same height and parallel to the bottom of the opening), tighten the wingnuts one more time to make sure they will stay in that position. Repeated heating cycles of the oven will tighten wingnuts further.



Your new Pizza Oven Glass Doors are now ready for use giving you a complete view of the items being cooked or baked within the oven .

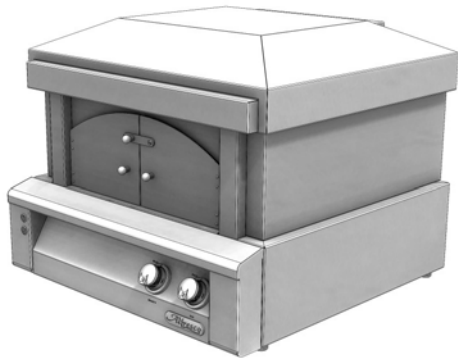
NOTE:

The specially treated glass that the doors are made with reflects a lot of heat back into the oven cavity, consequently you will need to adjust your temperatures accordingly for cooking or baking.

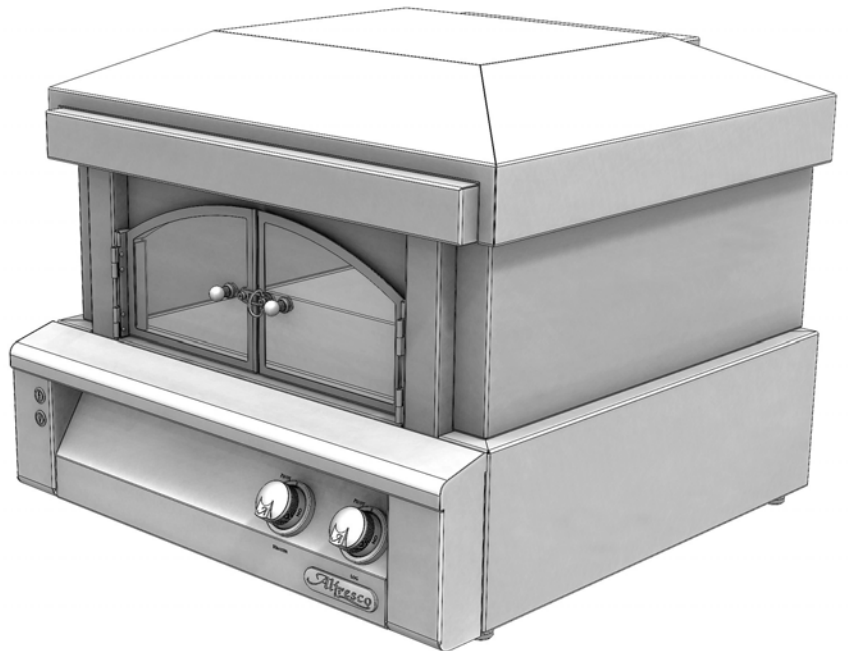
Additionally, the knobs handles mounted on the glass will remain cooler to the touch when compared to the handles used on the original stainless doors of the oven.

Regardless, exercise caution when operating the oven and opening and closing the glass doors; the glass doors will still be very hot to the touch when cooking.

It is always recommended to use oven gloves or mitts to safely open and close the doors when the oven has reached proper operating temperatures.



ORIGINAL SOLID STAINLESS STEEL



NEW GLASS DOORS INSTALLED WHEN FULLY ASSEMBLED.