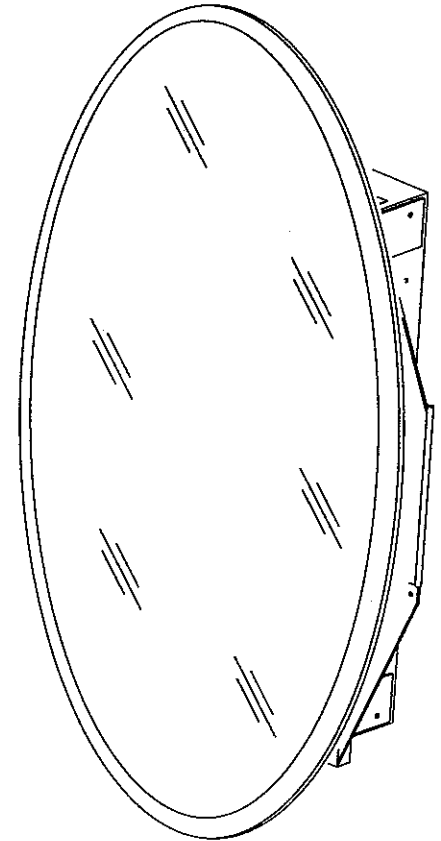


"Creations" by ALNO, INC.

P.O. Box 3249, 9725 Owensmouth Avenue, Chatsworth, CA 91311 • 818-882-6028 • FAX 818-700-1540

INSTALLATION INSTRUCTIONS

- Model: MC4912 - 18" Beveled Edge Mirror (WH)
MC4952 - 18" Tapered Beveled Edge Mirror (SS)
MC4910 - 24" Beveled Edge Mirror (WH)
MC4950 - 24" Tapered Beveled Edge Mirror (SS)



Surface Mount
Shown

Recessed or Surface Mounted Oval Bath Cabinet

Size	WALL OPENING			OVERALL SIZE	
	W	H	D	W	H
18"	14 1/4	18	4	21 1/4	31 1/4
24"	14 1/4	24	4	24	35 7/8

This Medicine Cabinet was designed to be either Recessed or Surface Mounted. Please decide which version you would like to use and install according to that style.

Note:
Carefully remove all packing material from the carton. Place Door, Glass Shelves, and Side Mirrors in a safe area to prevent any accidents.

PLEASE: Read the instructions before beginning the installation process.

List of Required Tools:

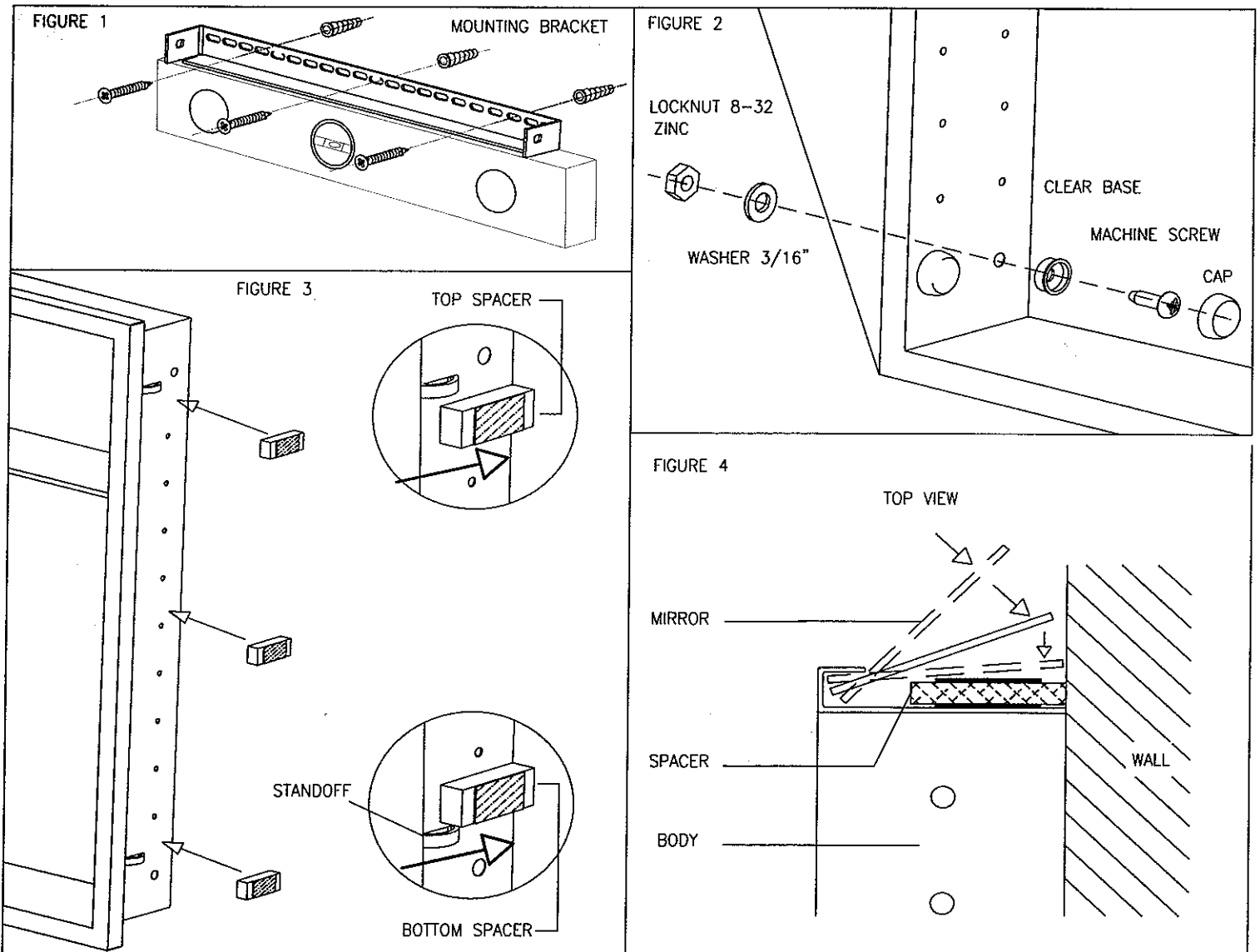
1. Safety Glasses
2. Measuring Tape
3. Pencil
4. Level
5. Screwdriver (Phillips head)
6. Wrench (11/32" or 9mm)
7. Wall Stud Locator

Surface Mount Installation

Refer to the "Assembly Diagram" attached to find the "[Item Numbers]" referred in the following instructions.

Before Installation, determine which side the door will open on, left or right.

1. Determine where you want your cabinet to be installed and which way the door to swing open. Identify where the wall stud is inside the wall and mark it. Use Wall Anchors [Item Number 14] on any screws that don't screw directly into the wall stud.
2. Install the Bottom Mounting Bracket. Line up the bottom bracket at the desired location. With the screws provided (1 3/4 No.8 PPH) [Item Number 6], attach the bottom bracket to the wall stud that you have marked. Level the bracket (See Figure 1) and attach the opposite end of the bracket to the wall using the wall anchor provided. Note: Bracket should be a MINIMUM of 7" above faucet; this will provide a 1" clearance.
3. Before you install the Top Mounting Bracket
Lift the cabinet body into position on the bottom bracket by aligning both the bracket holes and the body mount holes. Place the Top Bracket on the top of the body and carefully mark the appropriate position of the Top Bracket. Make sure that the body hole is flush with the bracket hole. Remove the cabinet body and install the top bracket, again catching the wall stud as described above. (See Figure 1)
4. Install the Body. Place the enclosed screws (8-32 x 5/8 PPH) [Item Number 12] through the Clear Washer [Item Number 11] per Figure 2 and attach the body to the mounting brackets. Install the Screw Cap when completed.
5. Install the Spacers provided with double sided tape. Remove the vinyl coating from the adhesive tape on ONE side of the spacer. IMPORTANT PLACEMENT: Place the spacers on the cabinet body, so that the spacer is flush to the back of the body, per Figure 3.
Do not place the spacer on the hinge bracket. Repeat on both sides, until all 6 spacers (three on each side) are placed.
6. Install the Side Mirrors. Remove the remaining vinyl coating from the adhesive tape.
IMPORTANT TECHNIQUE: Install the Side Mirrors per Figure 4.
7. Install the Door. Attach the door with the screws provided (8-32 x 1/4 Phillips Flat Head) [Item Number 1].
NOTE: To secure screws, it is RECOMMENDED the use of LOCKTITE.
8. Install the Shelf Supports, Shelves, and Hole Plugs provided. See page 4 for installation instructions.



Recessed Mount Installation

Refer to the "Assembly Diagram" attached to find the "[Item Numbers]" referred in the following instructions. Before Installation, determine which side the door will open on, left or right.

1. Preparation for the Installation of the Body

Determine desired location of cabinet on wall. Mark the wall to show wall opening size (see Figure 1).

Note: Height should be a MINIMUM of 7" above faucet. This will allow a minimum of 1" clearance when door opens.

Cut wall opening, being careful not to damage the surrounding wall surface. CAUTION: Wall studs, plumbing, or electrical lines that interfere, must be removed or relocated BEFORE installation. Insert framing to support all plaster board edges (if required).

2. Install the Flange Bracket

Attach Flange Bracket according to Figure 3 using screw #6-32 x 3/16" [Item Number 8], Qty. 2 screws (top and bottom).

3. Install the Body

Prepare the mounting screws by placing the screws into the clear plastic base (see Figure 2). Position the body inside the opening. Ensure the cabinet is plumb and level. If necessary, use a carpenter's level and shim corners of cabinet. Secure to wall the studs through four (4) mounting holes inside the cabinet, using the screws provided inside the assembly bag (see Figure 4). NOTE: When mounting cabinet, the side with the Bracket should be screwed in first.

DO NOT OVER TIGHTEN THE MOUNTING SCREWS.

4. Install the Screw Covers

Snap the screw covers over the screw bases (see Figure 5).

5. Install the Door.

IMPORTANT NOTE: Secure door while fastening screws on the bracket. Attach the Door with the screws provided.

Screw 8-32 x 1/4" Phillips Head. [Item Number 1]

6. Install the Shelf Supports, Shelves, and Hole Plugs. See page 4 for installation instructions.

FIGURE 1

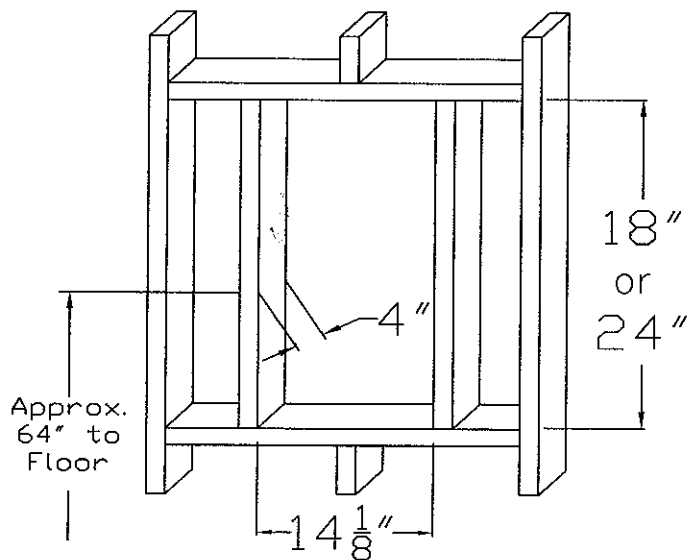


FIGURE 2

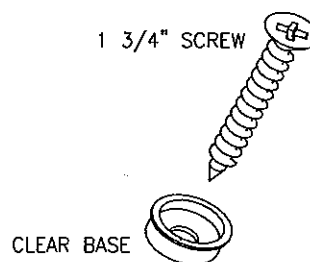


FIGURE 5

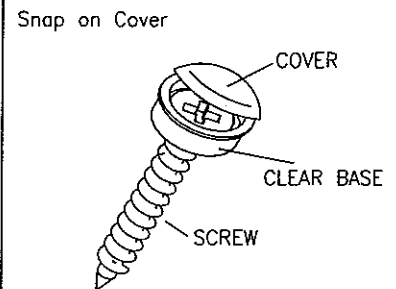


FIGURE 3

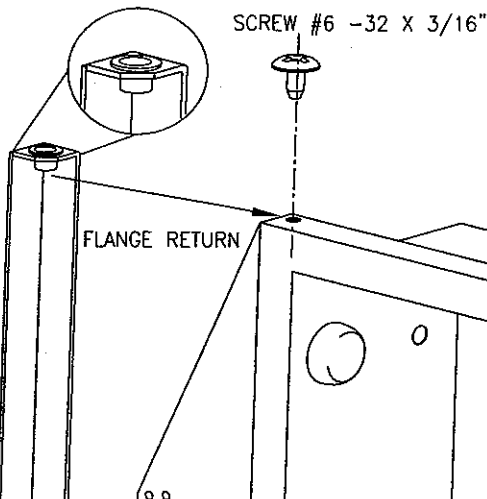
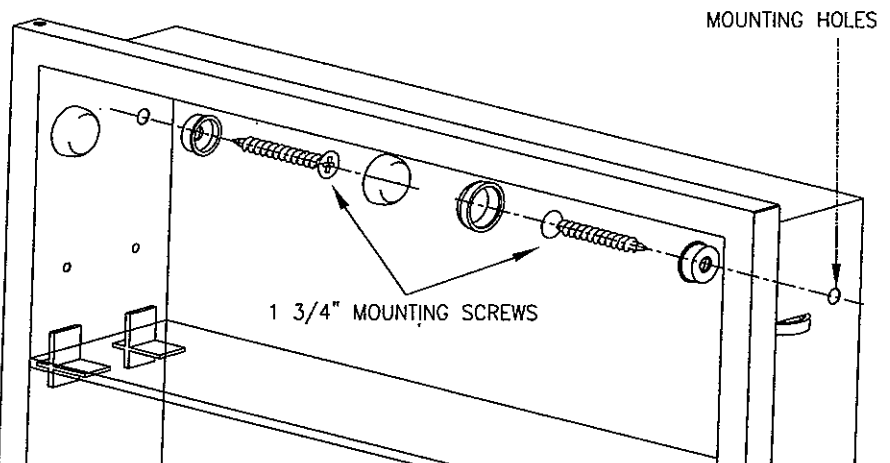


FIGURE 4

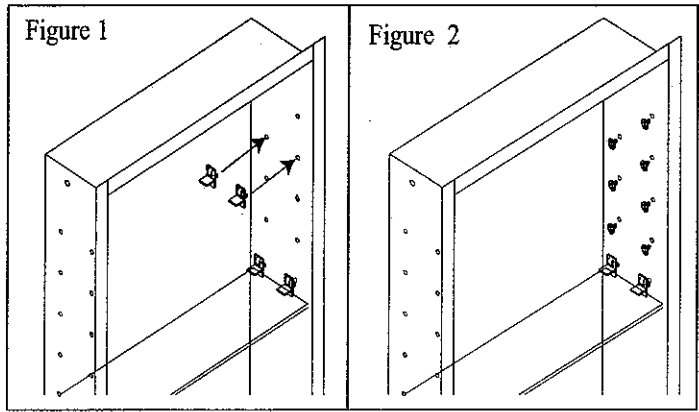
* NOTE: Mount the side with the bracket first



INSTALLATION OF SHELF SUPPORTS, SHELVES, AND HOLE PLUGS.

Note: Carefully review the shelf location desired.
The hole plugs are difficult to remove once
inserted.

1. Select where you want the shelves to be placed.
2. Insert two (2) shelf supports at each end of the shelf location. (Figure 1)
3. Set shelves in place on the shelf supports, gently pressing down on shelf to lock in place. (Fig. 2)
4. Remove hole plugs from hardware bag and place in remaining holes. (Figure 2)



MIRROR CARE

Use only clean warm water and a clean, soft, lint-free cloth.

DO NOT USE cleaners that contain solutions of ammonia, vinegar, or chlorine.

DO NOT USE powered cleansers or steel wool.

Never spray cleaning agents directly on the mirror, especially on exposed edges and mirror backing. Apply cleaner to soft cloth and wipe mirror. Dry mirror thoroughly.

Keep mirror dry. A well ventilated bathroom is important.