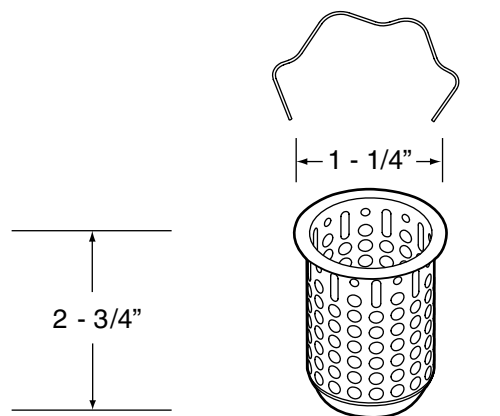
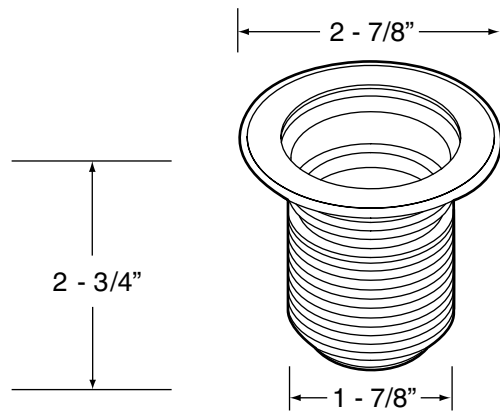


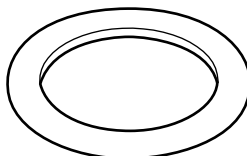
D1000 DRAIN



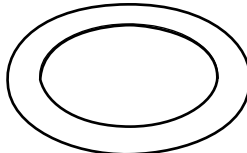
Basket, Brass



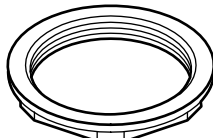
Body, Brass/Polish



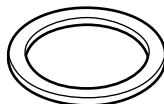
Washer, Rubber/Black



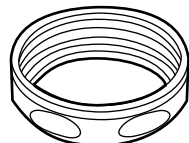
Washer, Chip Board



Lock Nut



Washer, Rubber/Black



Slip Nut, Brass

Model: D1000
2" Jr. Basket Strainer
w/ nuts and washers

BATES
AND BATES
The Problem Solvers

7310 Alondra Boulevard • Paramount, California 90712
(562) 808-2290 • (800) 726-7680 • Fax: (562) 808-2289
www.batesandbates.com • Email: website@batesandbates.com
Distributed by B.&B. Sales & Imports, Inc.