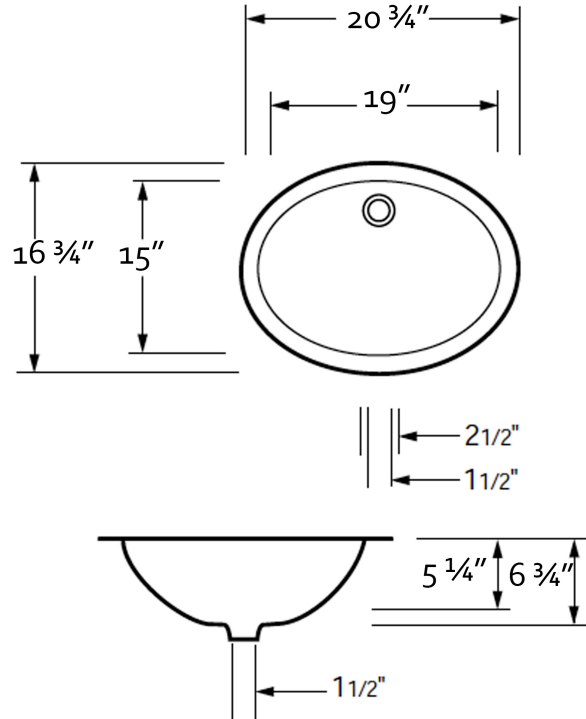


SPECIFICATIONS

**B1519
SCULPTURED METALS**



PRODUCT SHEET



Patterns Available:

- Plain
- Melon
- Garland
- Hammertone
- Riatta

Dimensions:

Inside: 15" x 19" x 5 1/2"
Outside: 16 3/4" x 20 3/4" x 7"

Finishes:

- | | |
|-------------------|------------------|
| Antique Brass | Old Nickel |
| Antique Copper | Polished Brass |
| Antique Nickel | Satin Brass |
| Polished Copper | Satin Copper |
| Nickel Silver | Satin Nickel |
| Oil Rubbed Bronze | Weathered Brass |
| Old Brass | Weathered Copper |
| Old Copper | |

OPTIONS

	Yes	No
Self-Rimming		STANDARD
Under Counter	X	
Special Rim	X	
Euro Edge	X	
3 1/2" Kitchen Drain		X
1 1/2" w/ Overflow		STANDARD
Drain		
2 1/2" Jr. Basket	X	
Strainer		
Specify Faucet Drilling		X



An Alno, Inc. Company