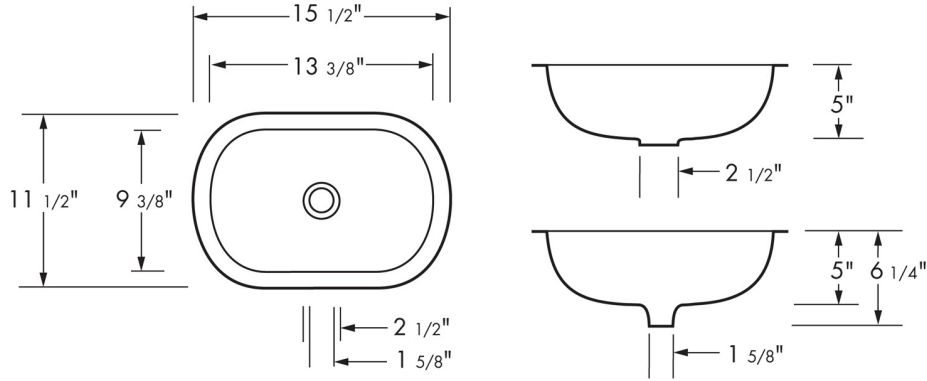


SPECIFICATIONS

PRODUCT SHEET

**B1014
SCULPTURED METALS**



OPTIONS

Patterns Available:

- Plain
- Garland
- Hammertone
- Riatta

Dimensions:

Inside: 9 3/8" x 13 3/8" x 5"
Outside: 11 1/2" x 15 1/2" x 6 1/4"

Finishes:

- Antique Brass
- Antique Copper
- Antique Nickel
- Polished Copper
- Nickel Silver
- Oil Rubbed Bronze
- Old Brass
- Old Copper
- Old Nickel
- Polished Brass
- Satin Brass
- Satin Copper
- Satin Nickel
- Weathered Brass
- Weathered Copper

	Yes	No
Self-Rimming	X	
Under Counter	X	
Special Rim	X	
Euro Edge	X	
3 1/2" Kitchen Drain		X
1 1/2" w/ Overflow Drain	STANDARD	
2 1/2" Jr. Basket Strainer	X	
Specify Faucet Drilling		X

IMPORTANT: These basins are hand crafted. We recommend you wait for basin before making your counter-top cut out. All dimensions are approximate.

