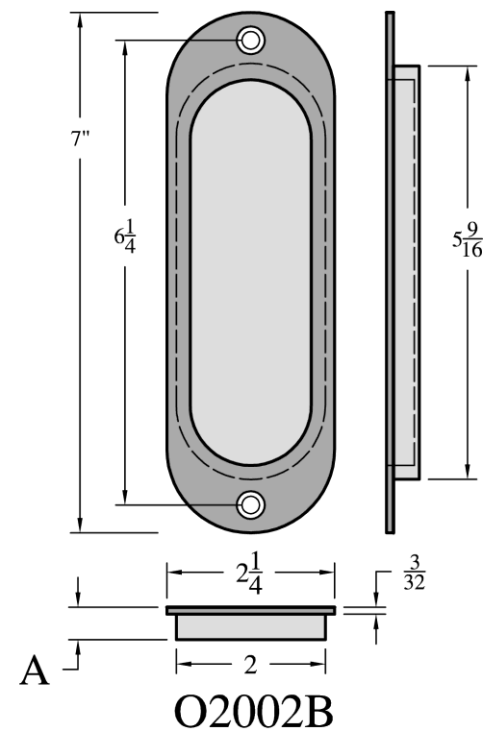
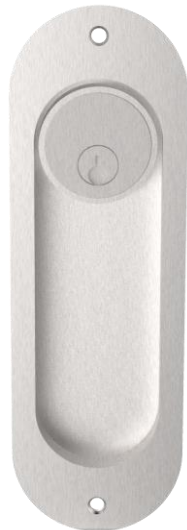


O2002 FLUSH PULLS

- Premium flush pulls machined out of solid brass. Stainless and bronze based flush pulls available as a special order.
- For use on 1 3/8", 1 3/4", or thicker doors (door thickness MUST be specified when ordering)
- Most architectural finishes available
- Available in four functions to work with the 2000, 2001, 2002 sliding and pocket door locks



O2002B



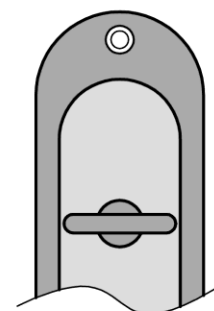
O2002C



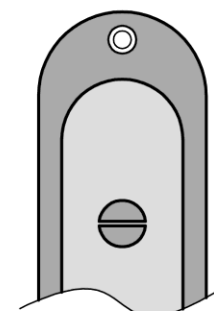
O2002E



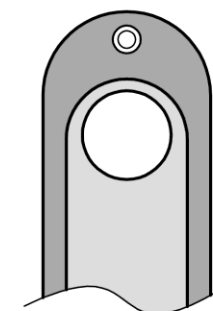
O2002T



O2002T



O2002E



O2002C