



ACCURATE  
LOCK & HARDWARE  
AMERICAN CRAFTED SINCE 1972

---

Edge Pulls

VERSATILE + MINIMALISTIC TRIM



11

10

9

8

7

6

5

4

3

2

1

2

# BARELY THERE HARDWARE

## EDGE PULL

Ideal to maintain a minimalistic design on cabinets, doors or mirrors, Edge Pulls are now available in 6 different styles and a variety of sizes and finishes that can ship in a week or less.

**EA2121 STYLE SHOWN ON KITCHEN CABINETS**

11

10

9

8

7

6

5

4

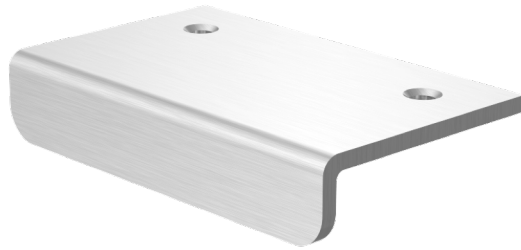
3

2

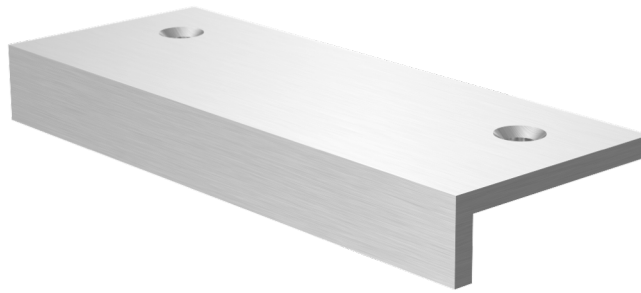
1

# EDGE PULL SERIES

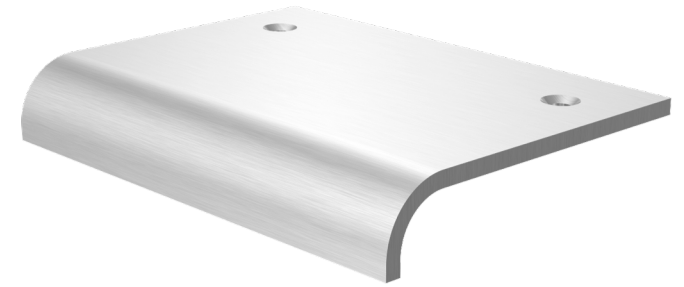
**E SERIES**



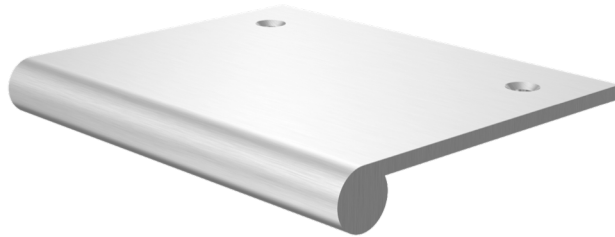
**EA SERIES**



**EJ SERIES**



**ES SERIES**



**EAA SERIES**

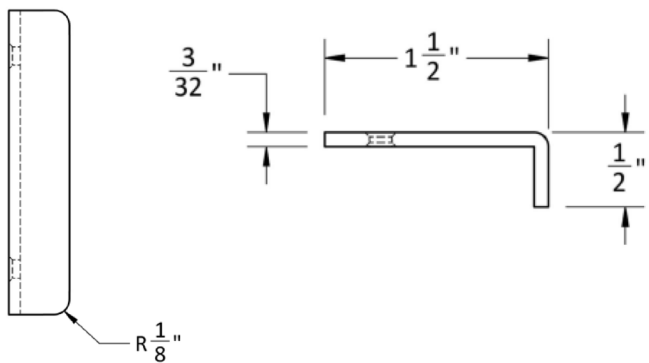
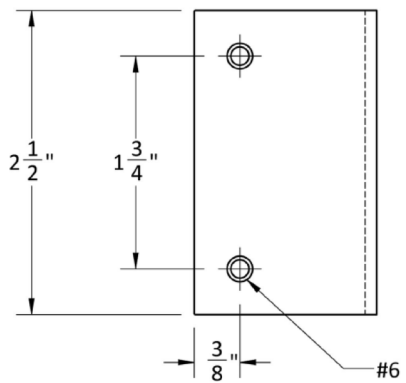


**ESA SERIES**

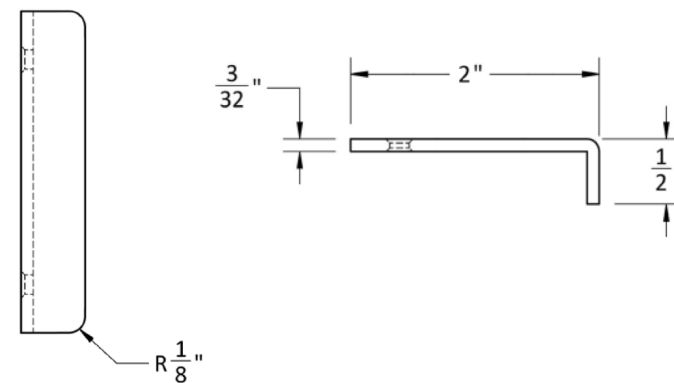
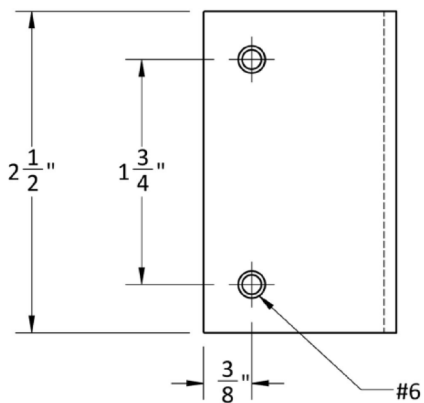


# E SERIES

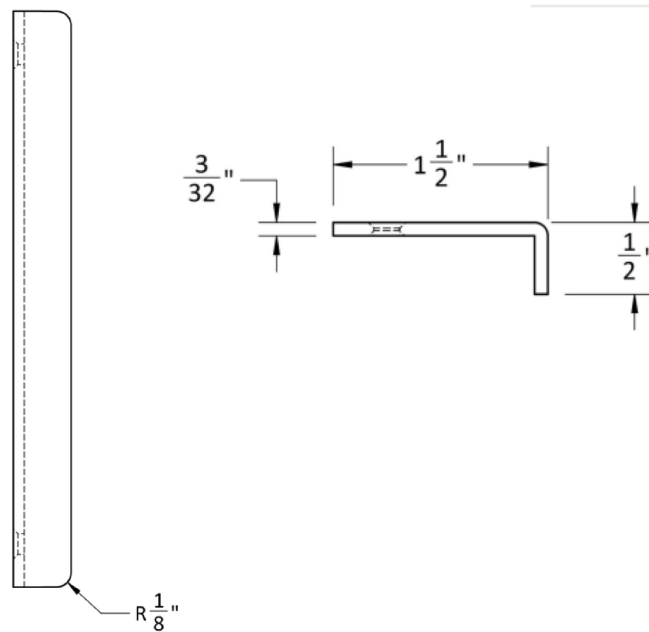
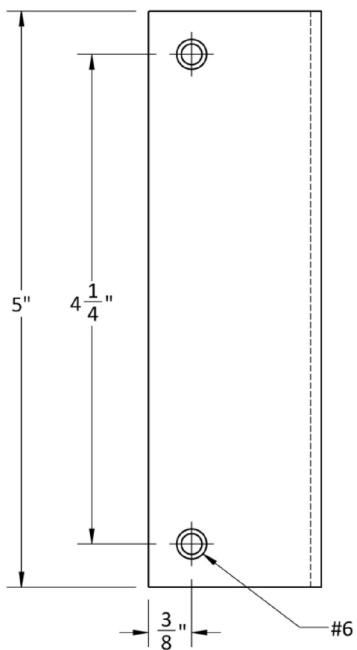
### E2121



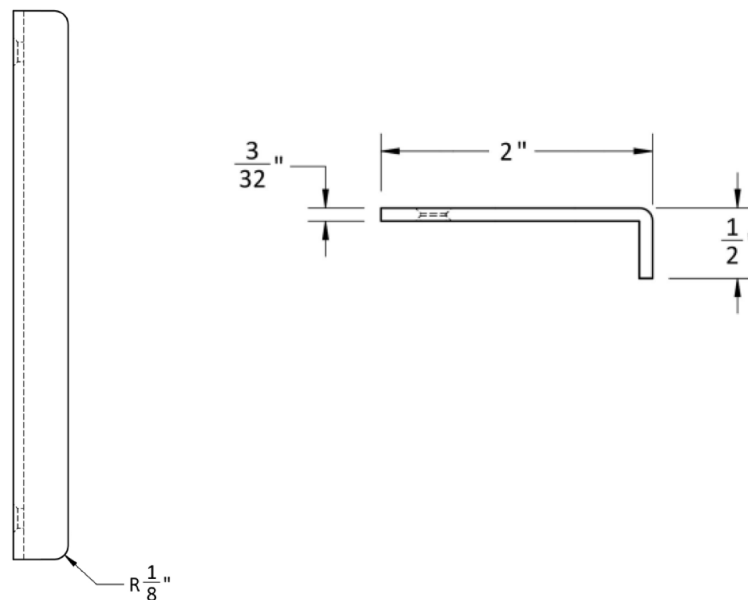
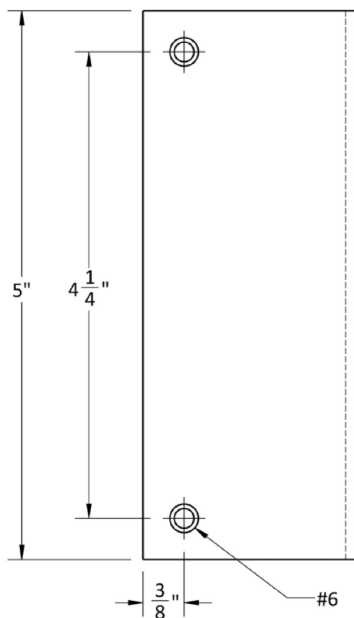
### E2122



### E5001

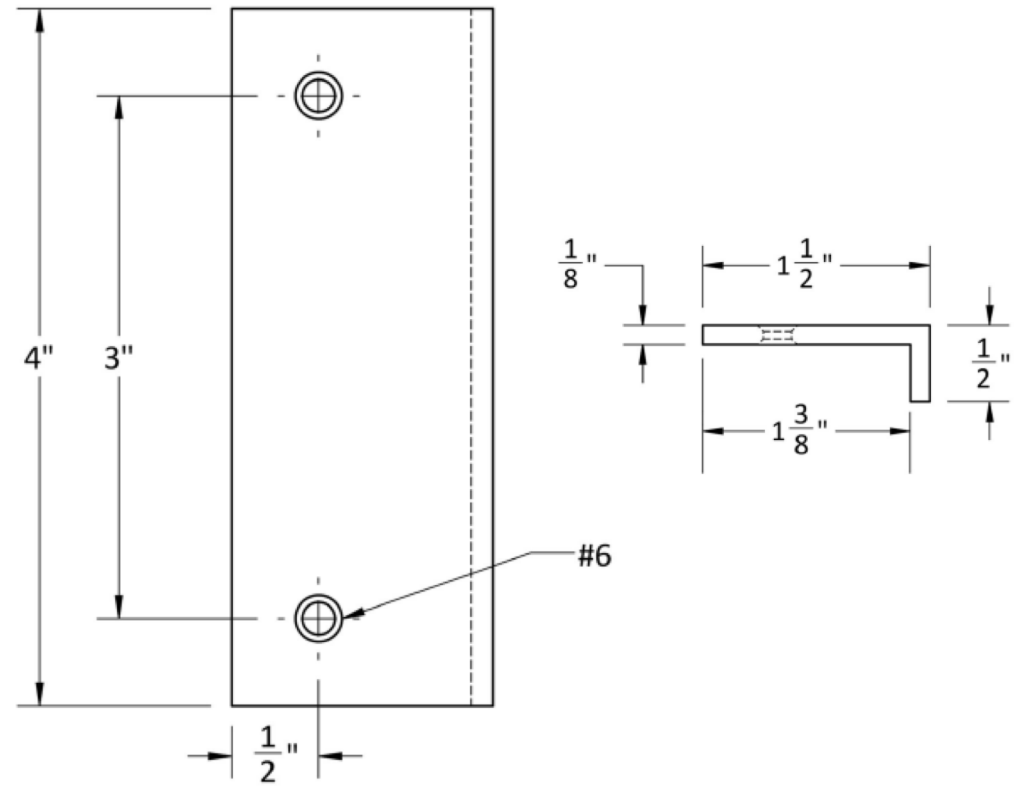


### E5002

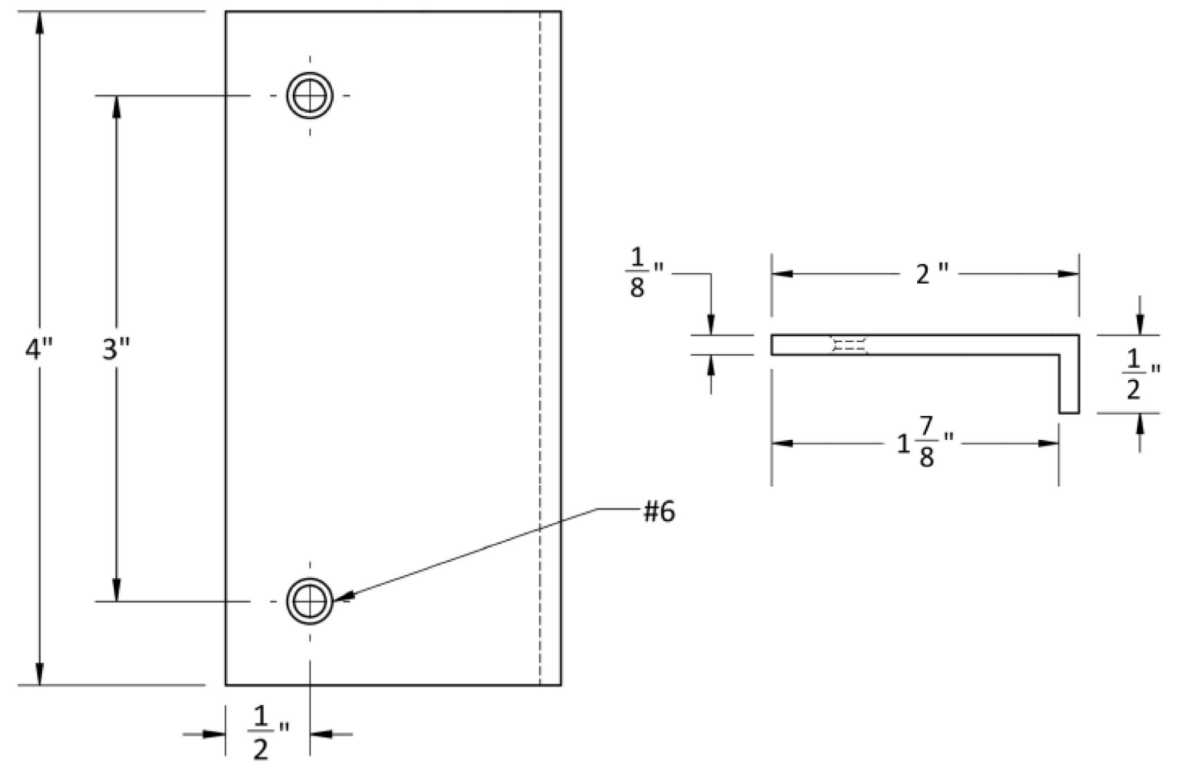


# EA SERIES

## EA4015

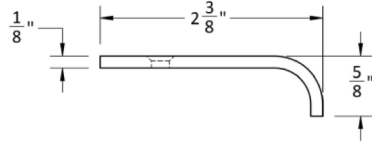
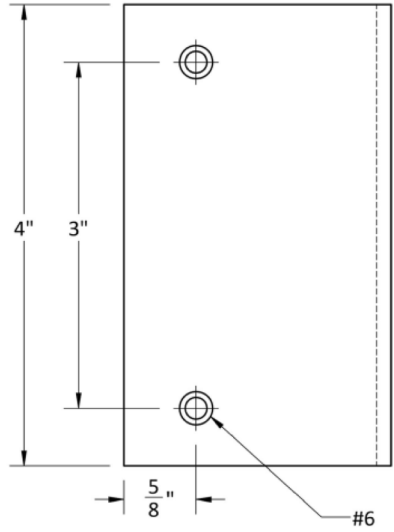


## EA4020

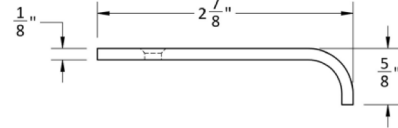
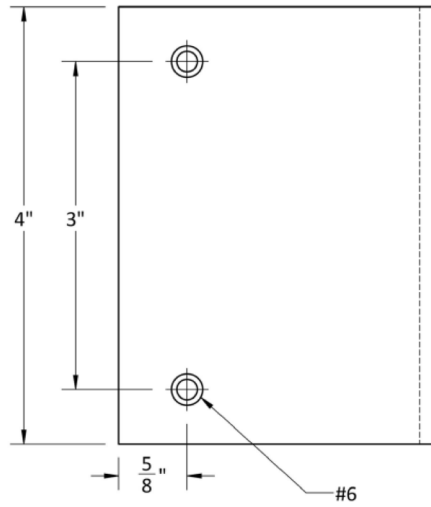


# EJ SERIES

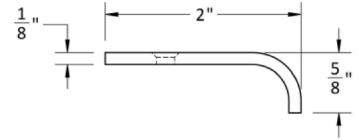
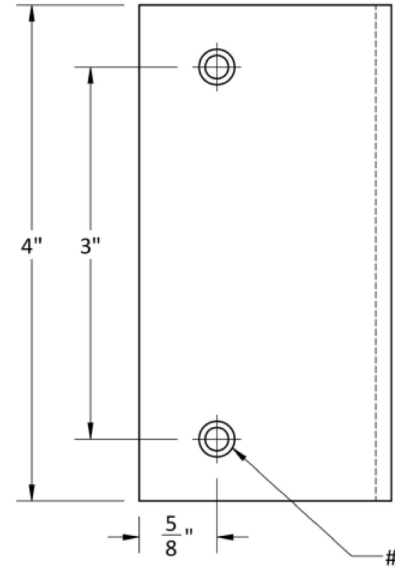
### EJ4001



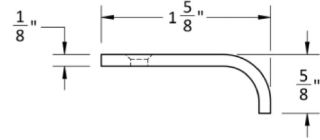
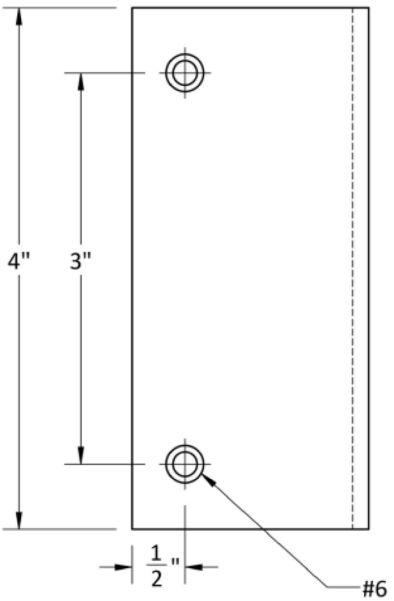
### EJ4002



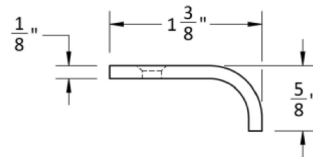
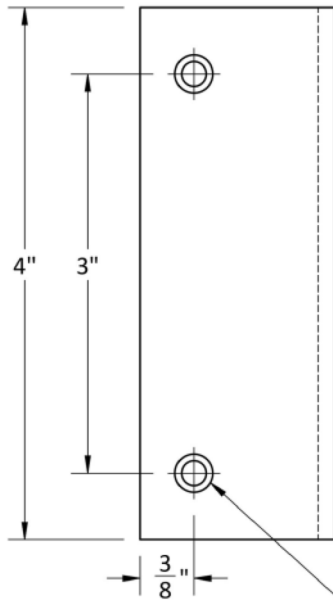
### EJ4003



### EJ4004

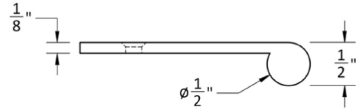
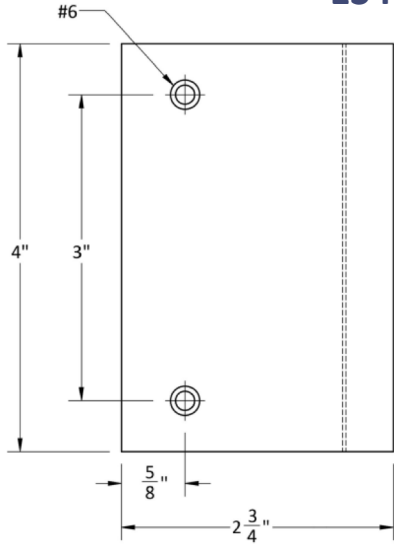


### EJ4005

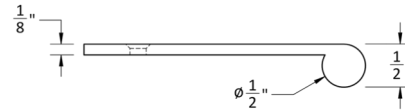
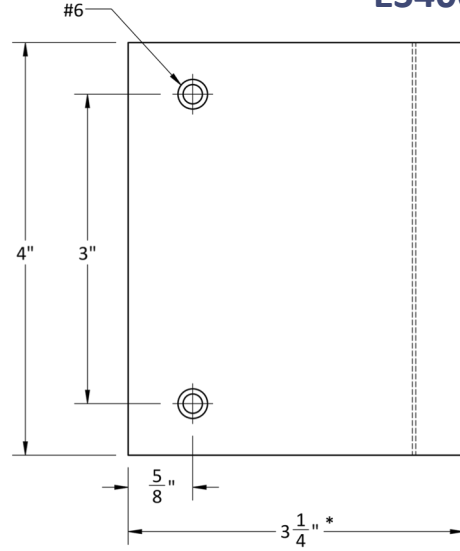


# ES SERIES

### ES4001

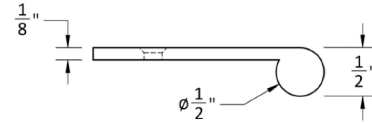
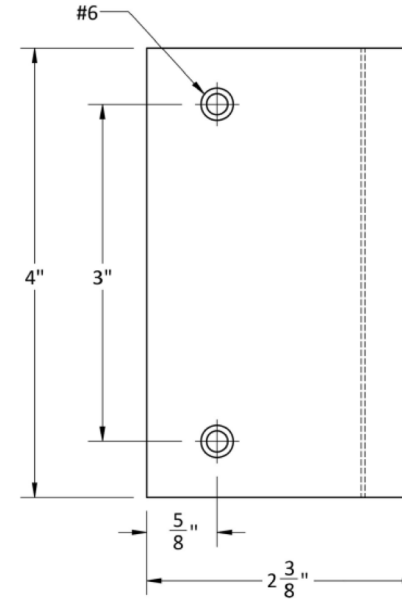


### ES4002

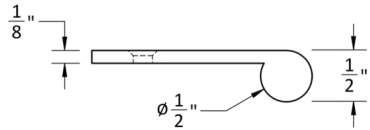
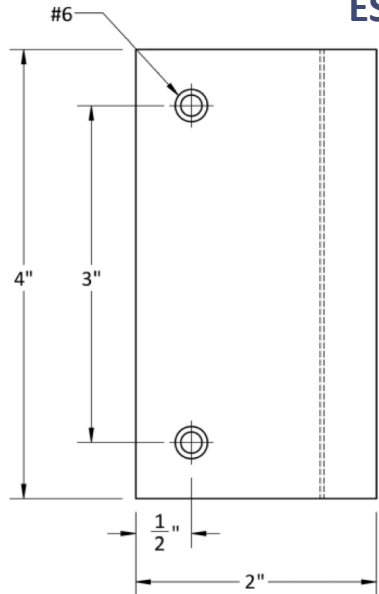


\*Can increase up to 3 1/2" max.

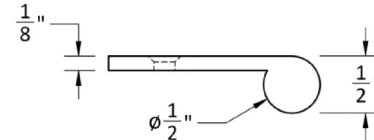
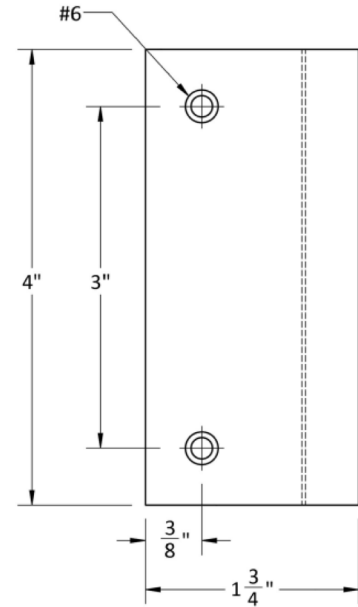
### ES4003



### ES4004

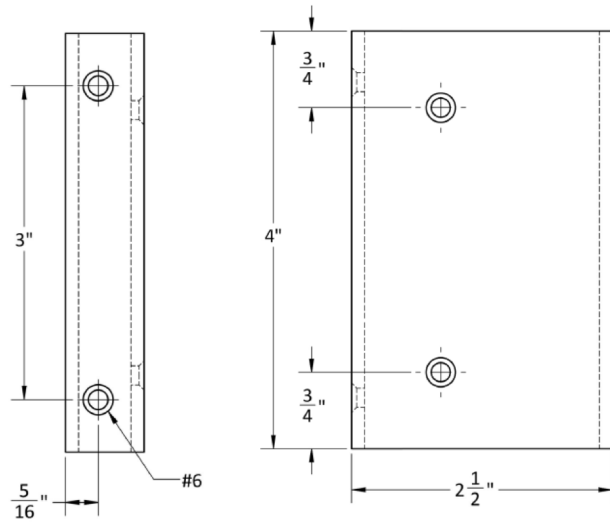


### ES4005

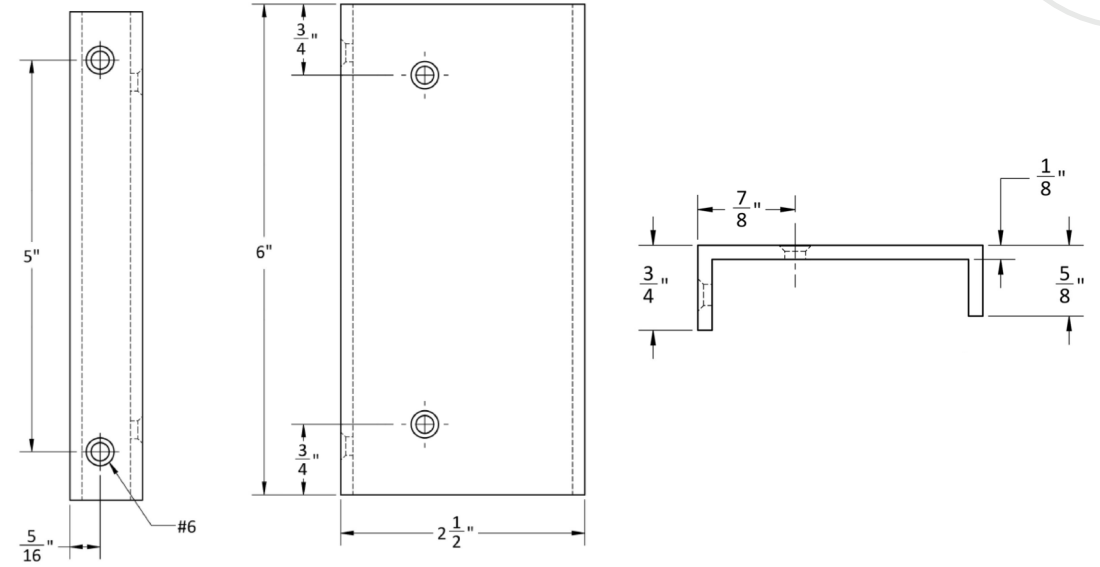


# EAA SERIES

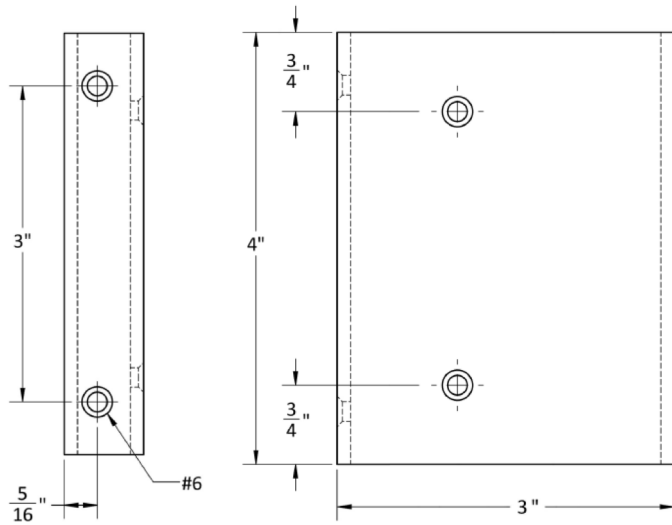
### EAA4001



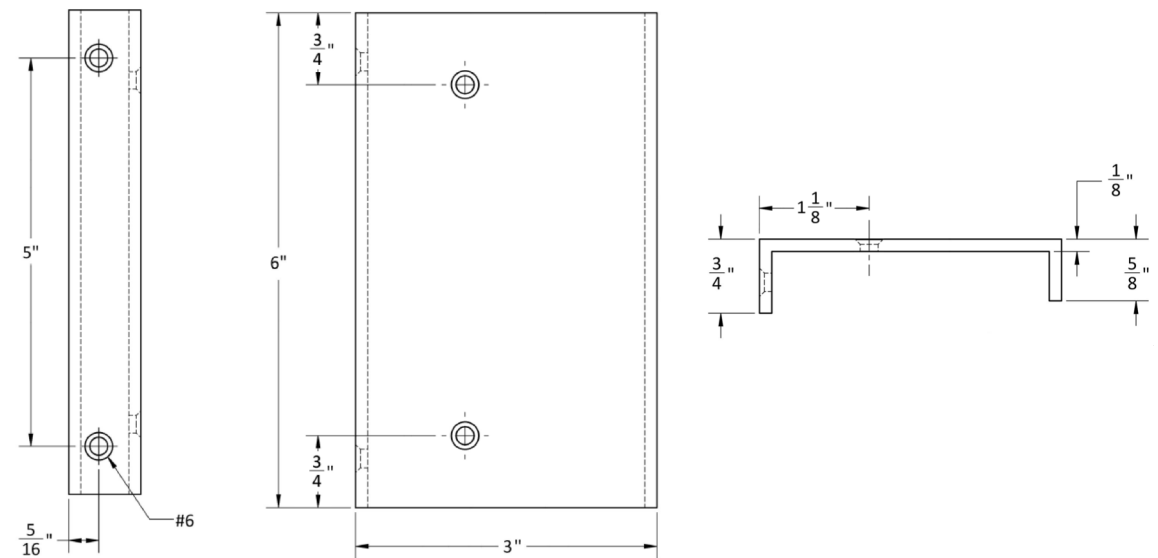
### EAA6001



### EAA4002



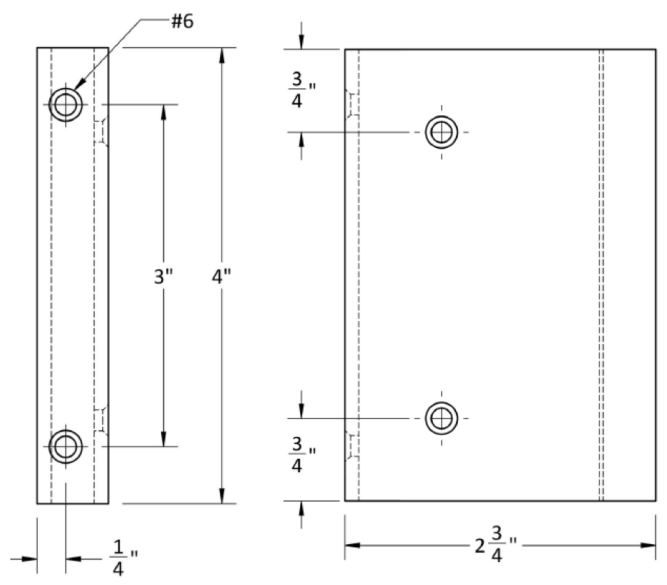
### EAA6002



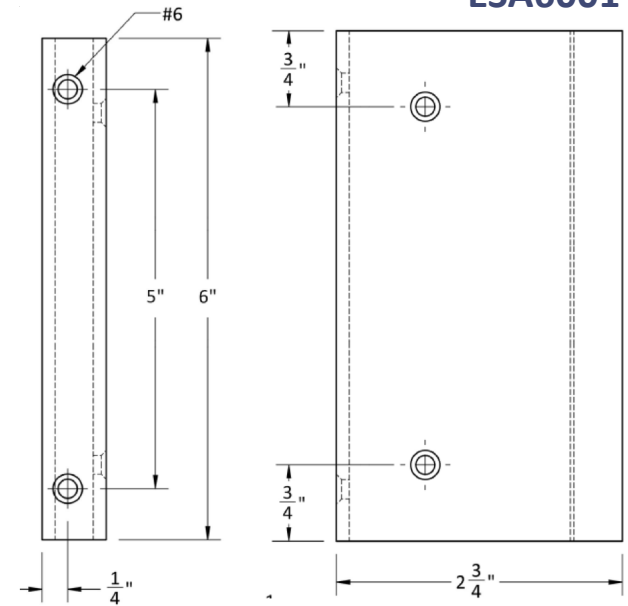


# ESA SERIES

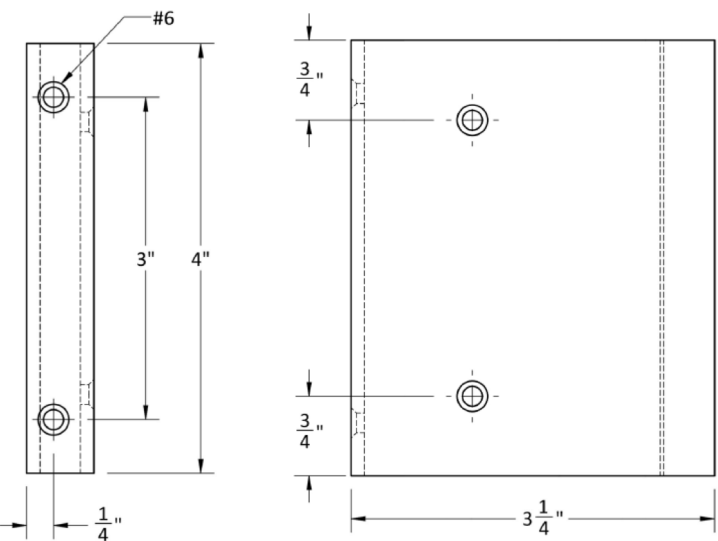
### ESA4001



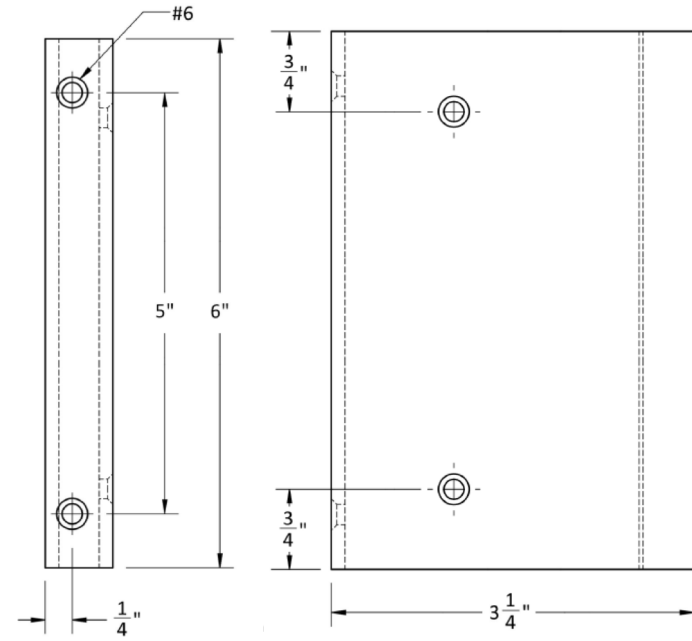
### ESA6001



### ESA4002



### ESA6002



# HOW TO SPECIFY

## PARTNUMBER.FINISH

### EXAMPLES

**E Series | Satin Brass**

E.g: E2121.**US4**

**EA Series | Burnished Brass**

E.g.: EA4020.**BB**

**EJ Series | Satin Nickel**

E.g.: EJ4004.**US26**

**ES Series | Satin Brass + Black**

E.g: ES4002.**US5**

**EAA Series | Satin Chrome**

E.g.: EAA6001.**US26D**

**ESA Series | Oil Rubbed Bronze**

E.g.: ESA6002.**US10B**

### AVAILABLE FINISHES

**GROUP 1:** US4, US4NL, US26D

**GROUP 2:** US3, US3NL, US26, US32, US10B, US14, US15, US19

**GROUP 3:** BN, BB, TN, TB, DURO, ESN, US15A, US5

**SPECIAL ORDER FINISHES:** US32D, US9, US10

To view examples of finishes visit: [Accurate Finishes](#)

**CUSTOM SIZES + SHAPES ARE AVAILABLE  
UPON REQUEST.**

**ACCURATE LOCK & HARDWARE  
MANUFACTURERS OF LOCKS AND  
CUSTOM ARCHITECTURAL HARDWARE**

1 Annie Place | Stamford, CT 06902

**P:** 203.348.8865

**F:** 203.348.5234

**E:** sales@accuratelockandhardware.com

**www.accuratelockandhardware.com**



**AMERICAN CRAFTSMAN**  
— SINCE 1972 —