



ACCURATE LOCK & HARDWARE

AMERICAN CRAFTED SINCE 1972

9100BDL Barn Door Locking Solutions

SLIDE IN STYLE

SMOOTH OPERATOR

9100BDL BARN DOOR LOCKING SOLUTIONS

- Features locking capability without a protruding strike
- The concealed latching mechanism allows for clean and simple hardware design
- 6" backset for 3" overlap configuration
- Privacy and keyed functions available
- Ideal for use in both residential and commercial settings
- Pair with different trim options to best fit the design intent and specific project requirements.
 - Flush pulls
 - ADA pulls
 - A combination of both



9100BDL BARN DOOR LOCK WITH ADA COMPLIANT TRIM

BARN DOOR LOCK: BEHIND THE SCENES



LOCKED | DOOR VIEW

9100BDL locked with the bolt projected into the strike that sits within the door. (The strike side of door jamb is translucent to show functionality.)



LOCKED | FRONT VIEW

9100BDL locked showing a close up of the bolt projected into the strike that sits within the door. (A portion of the lock is translucent to show functionality.)



UNLOCKED | DOOR VIEW

9100BDL unlocked and sliding to open the door. The bolt retracts into the hole in the door that is outlined by the cuff.

[WATCH THE BARN DOOR VIDEO](http://www accuratelockandhardware.com/9100-barn-door-lock)

<http://www accuratelockandhardware.com/9100-barn-door-lock>

BARN DOOR TRIM OPTIONS



FLUSH PULL TRIM

- Minimalistic recessed look
- A variety of flush pull options available with exposed or concealed fasteners (for all options [click here](#))



BACK TO BACK PULLS

- Sleek, easy-to-grab 7200P pull handles that meet accessibility requirements
- Customizable to be made in various lengths
- Pair with 7200ADA thumbturn for full ADA set

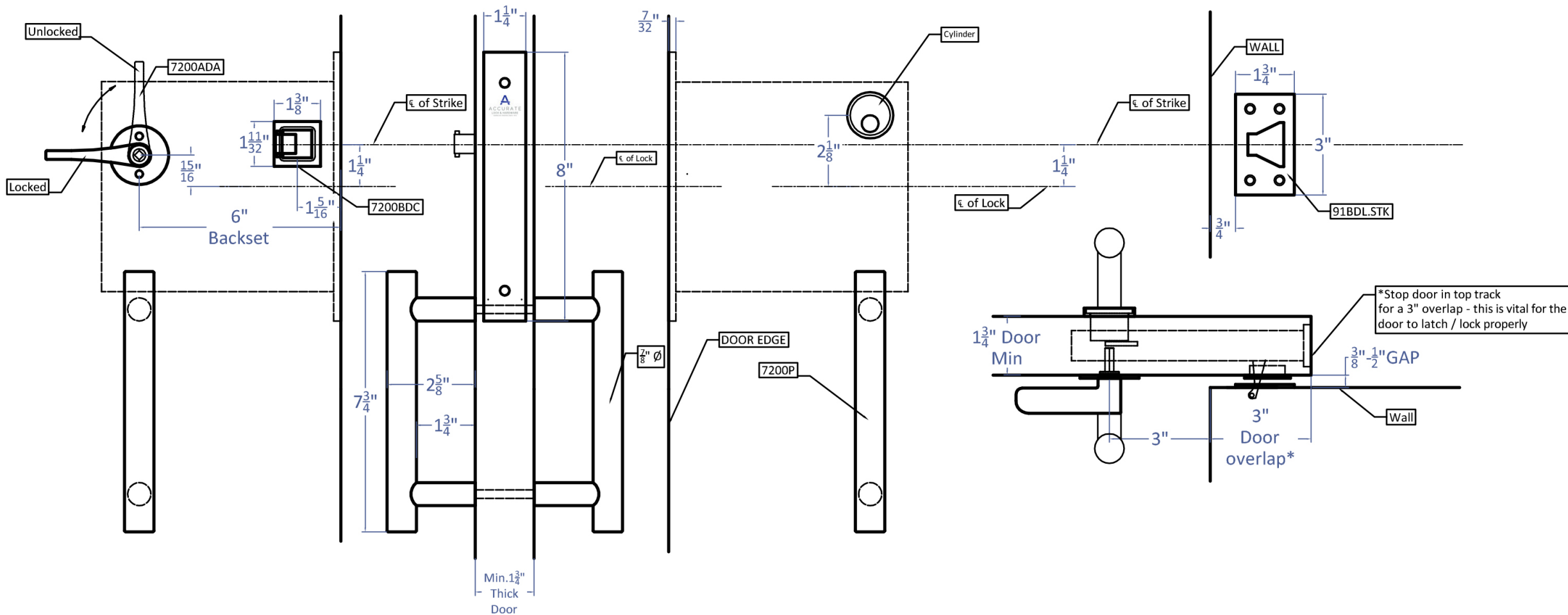


PULL/PUSH HANDLE COMBINATION

- Pair recessed flush pulls on one side with a pull handle on the opposite
- Ideal for overlapping barn doors

9100BDL

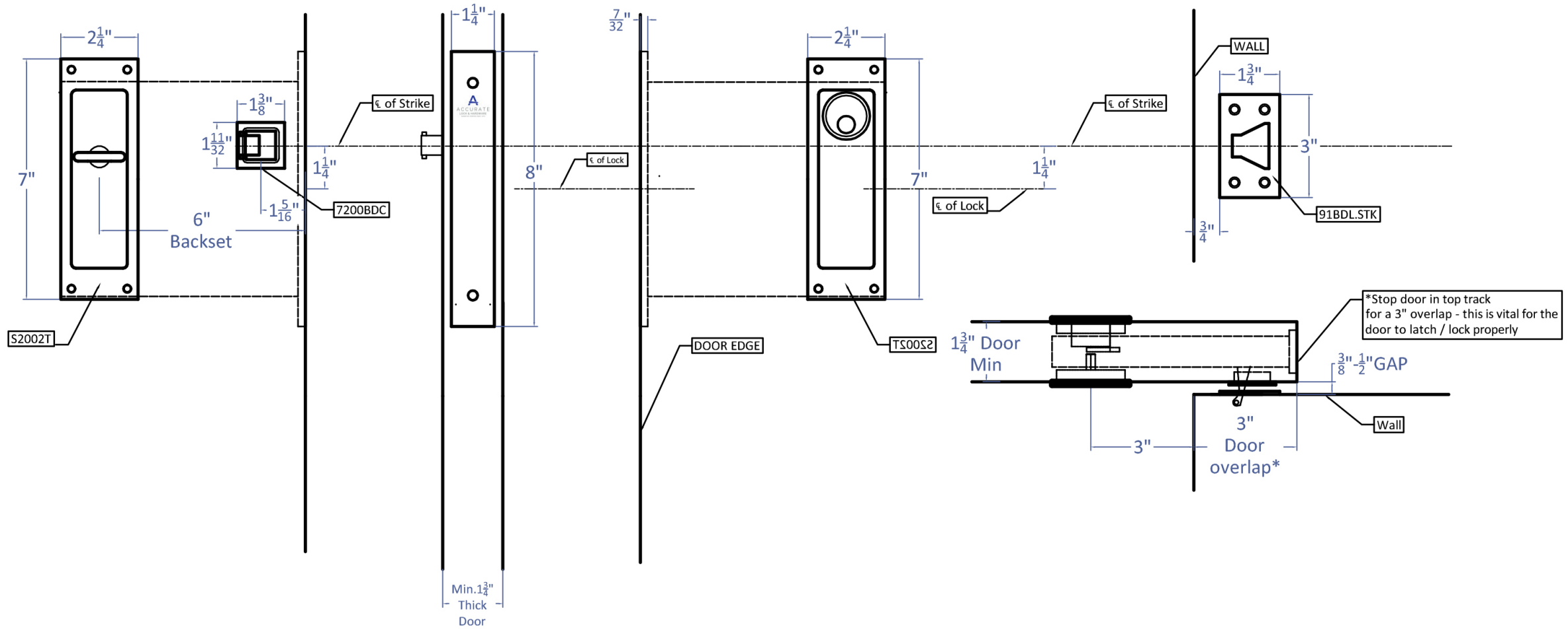
Barn Door Lock with Back to Back Pulls (ADA)



For additional specs visit : [Accurate Spec Sheets](#)

9100BDL-3 Entry Function, 6" Backset with 7200P ADA Compliant Pulls

9100BDL Barn Door Lock with Flush Pull Trim

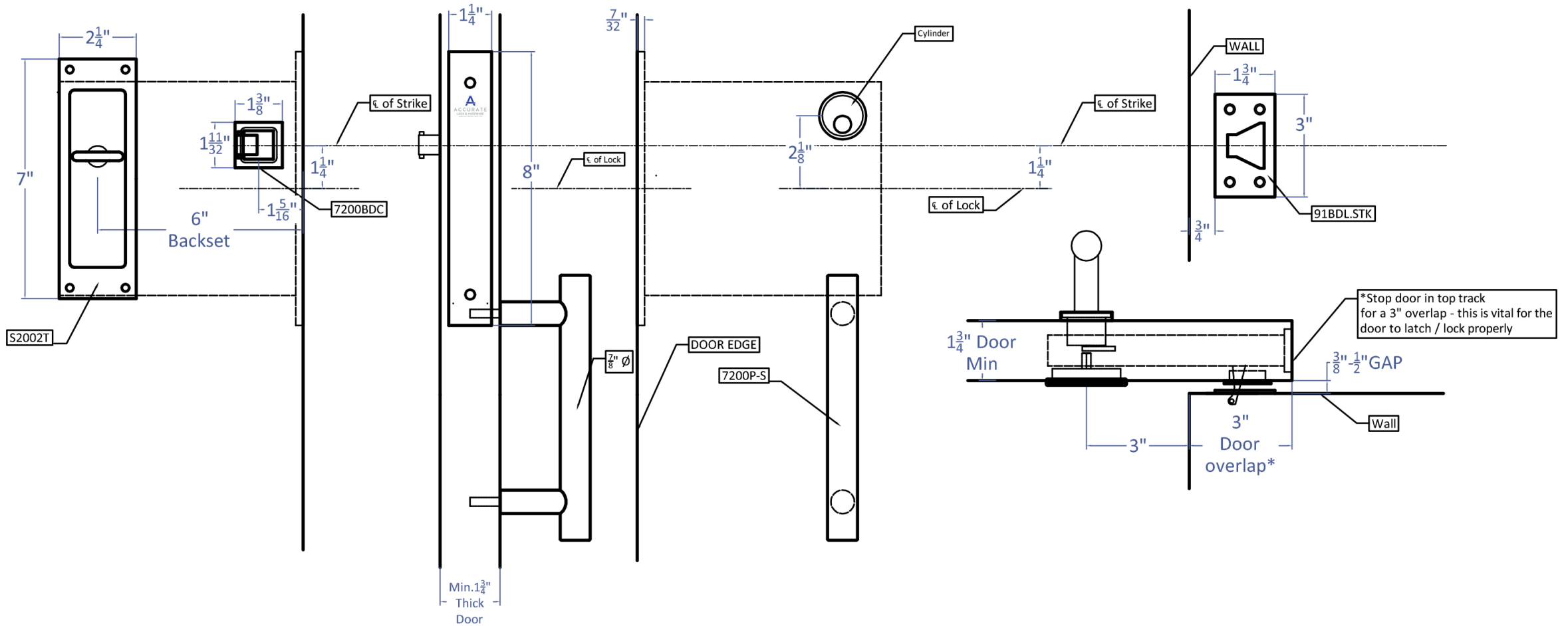


For additional specs visit : [Accurate Spec Sheets](#)

9100BDL-3 Entry Function, 6" Backset
with S2002C x S2002T Flush Pulls



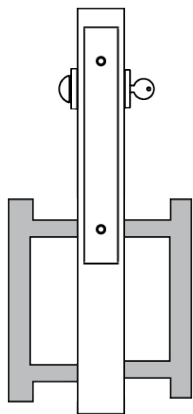
9100BDL Barn Door Lock with Combination Trim



For additional specs visit : [Accurate Spec Sheets](#)

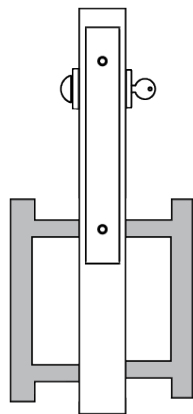
**9100BDL-3 Entry Function, 6" Backset
with 7200P ADA Compliant Pull and S2002T Flush Pull**

9100BDL FUNCTIONS



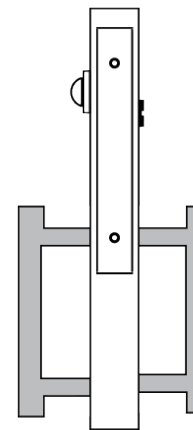
9100BDL-3 ENTRY

Deadbolt by key outside or turn piece inside.



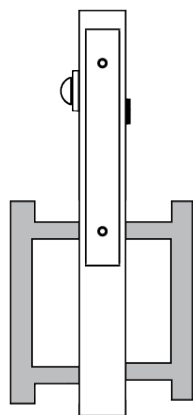
9100BDL-3ST CLASSROOM DEADLOCK

Turn piece inside will only retract deadbolt.



9100BDL-5 PRIVACY

Deadbolt by emergency release outside, turn piece inside.



9100BDL-5i PRIVACY SET WITH INDICATOR

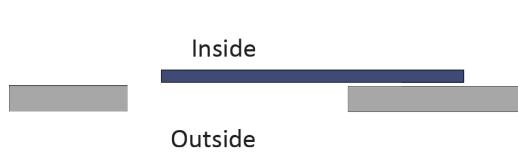
Deadbolt by emergency release outside, turn piece inside.

Note: Shown here with back to back pulls.
Other trim options available in these functions.

HOW TO SPECIFY

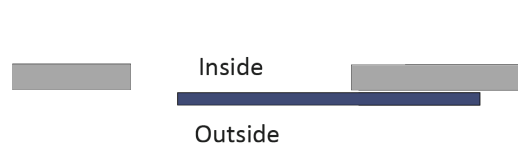
HOW TO DETERMINE BARN DOOR HANDING

1. Start on the outside of the opening
2. On what side of the opening is the barn door installed?
3. In what direction does the door slide open?



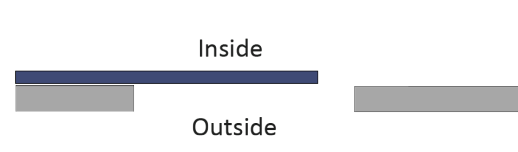
RH-Inside

1. Standing outside
2. Door on inside
3. Opens to right



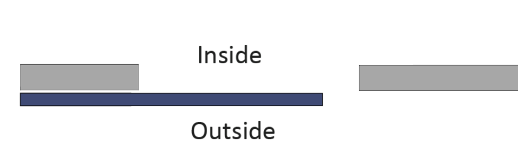
RH-Outside

1. Standing outside
2. Door is outside
3. Opens to right



LH-Inside

1. Standing outside
2. Door on inside
3. Opens to left



LH-Outside

1. Standing outside
2. Door is outside
3. Opens to left

FINISHES

GROUP 1: US4, US4NL, US32D*, US26D

GROUP 2: US3, US3NL, US26, US32*, US9*, US10*, US10B, US14, US15, US19

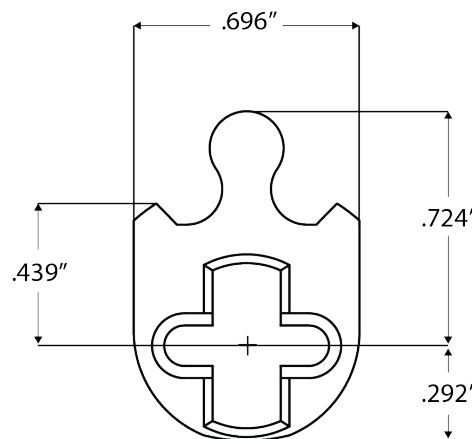
GROUP 3: BN, BB, TN, TB, DURO, ESN, US15A, US5

* Trim options may not be available in US32D, US32, US9, or US10 finish. Please call for assistance.

To view example of finishes visit: [Accurate Finishes](#).

CYLINDERS & KEYING

9100BDL Barn Door Locks accept any standard American mortise cylinder. For details on required cams and compatibility with other manufacturers' cylinders, please visit: [Accurate Support](#)



HOW TO SPECIFY

TRIM.FUNCTION.BACKSET.FINISH.HAND.DOORTHICKNESS

Trim Options

Please specify:

Flush Pulls:

- S, A, N, O
- CS, CA, CN, CO
- 24R, 24S
- FC2348, FE2348

ADA

- Includes 7200P and 7200ADA (where applicable)

Combination

- Flush Pulls + ADA Trim (includes 7200P pulls)

Functions

See available functions (pg. 8)

Backset

6" Backset

Finishes

See available finishes pg.9

Door Thickness

Standard 1 ¾" Doors

EXAMPLES

Barn Door Lock | Privacy | Flush Pull Trim

E.g. **S2002.9100BDL-5.6.US3NL.RH.134**

Barn Door Lock | Classroom Deadlock | ADA Trim

E.g. **ADA.9100BDL-3ST.6.US10B.LH.134**

Barn Door Lock | Entry | Combo Trim

E.g. **CS2002/7200ADA.9100BDL-5.6.US4.RH.134**

**ACCURATE LOCK & HARDWARE
MANUFACTURERS OF CUSTOM LOCKS
AND ARCHITECTURAL HARDWARE**

1 Annie Place | Stamford, CT 06902

P: 203.348.8865

F: 203.348.5234

E: sales@accuratelockandhardware.com

www.accuratelockandhardware.com



**AMERICAN CRAFTED
— SINCE 1972 —**