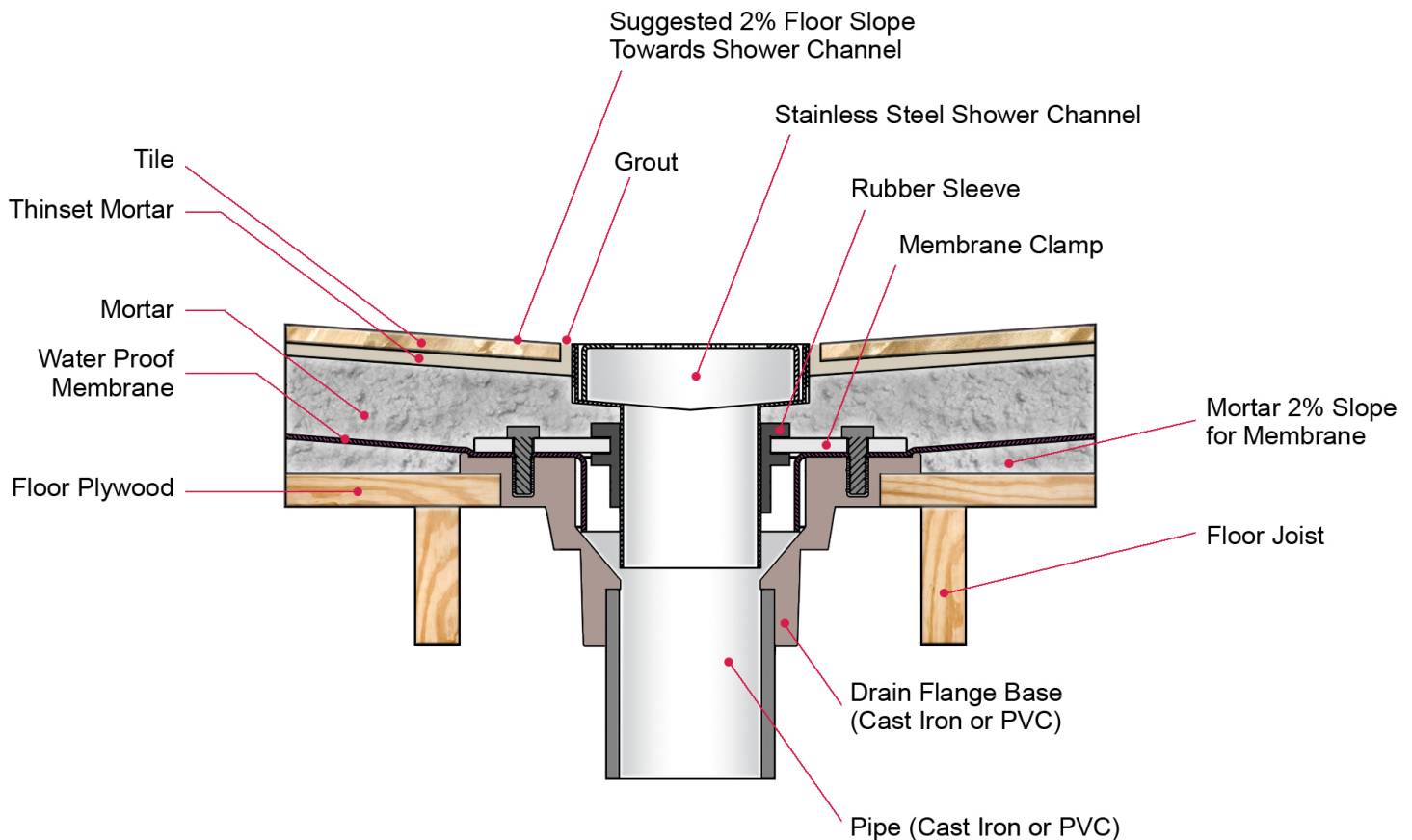


# Shower Drain Installation Cross-section Diagram

1. Determine the desired position of the shower drain. Locate the pipe through your flooring to desired position.
2. Pre-slope the floor to lead water to the outlet. It is suggested to create a 2% grade towards the shower drain. Linear drains usually require a single slope in one direction. However, if the linear drain is installed slightly off the wall, it will need to slope the adjacent area towards the drain.
3. Layer the pre-slope with a waterproof membrane, cut holes on the membrane for the screws and drain base. Waterproof test operated by qualified plumber is required for at least 24 hours after the membrane is fixed.



4. Assemble the drain grate to the drain channel. Assemble the clamping ring to the drain flange, and then install the gasket into the drain flange. Fasten the assembly with the screws.
5. Insert the drain channel into the gasket. Push the drain channel down to ensure the correct height.
6. Connect the drain flange to the sewer pipe. Run water through the drain and check for leaks.
7. Adjust the leveling feet to level and stabilize the shower drain unit. The top of the drain channel should be flush with the surface of the finished floor.
8. Complete the installation by installing the preferred flooring.

