



INSTALLATION MANUAL TUB SPOUT

ITEM NO.: AB5901

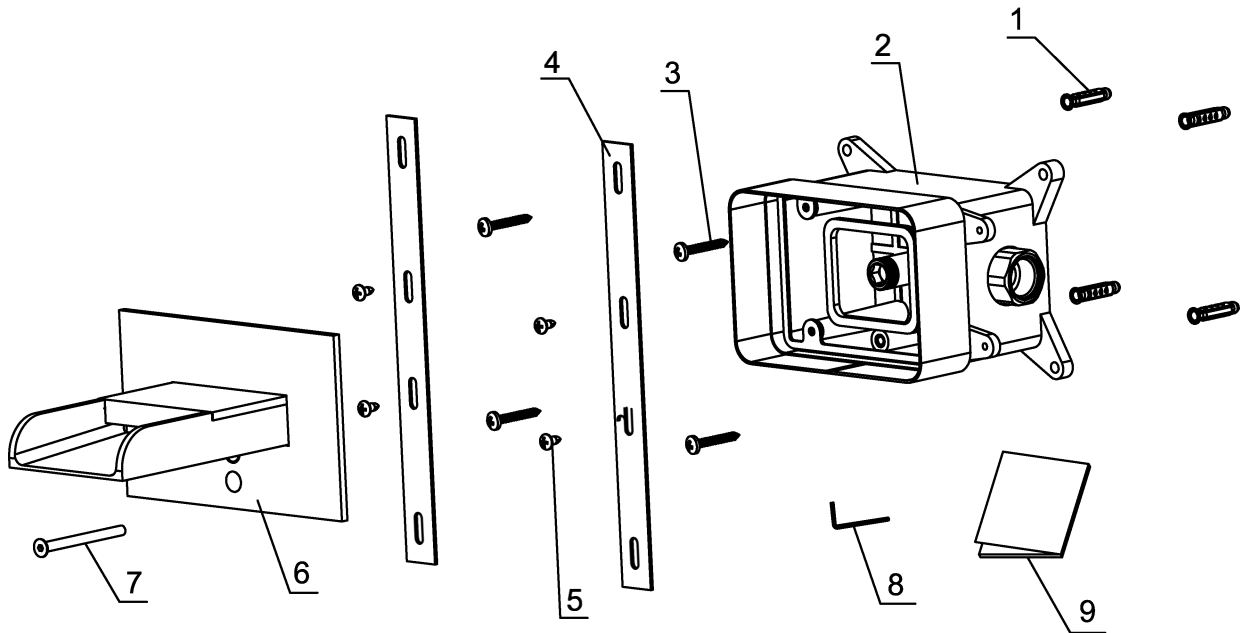
※Components Checking

LIST OF THE STANDARD COMPONENTS:

Please double-check the components list hereinafter and contact our company or our distributor for any unconformity.

Remarks:

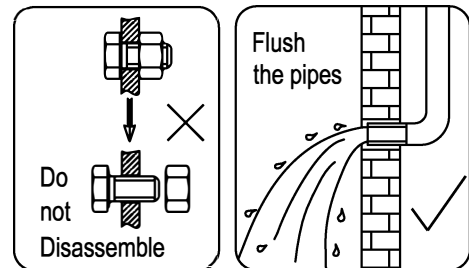
1. Without affecting their performing, components may be changed without further notice.
2. Drawings for reference only. Product size & shape refer to actual faucet.



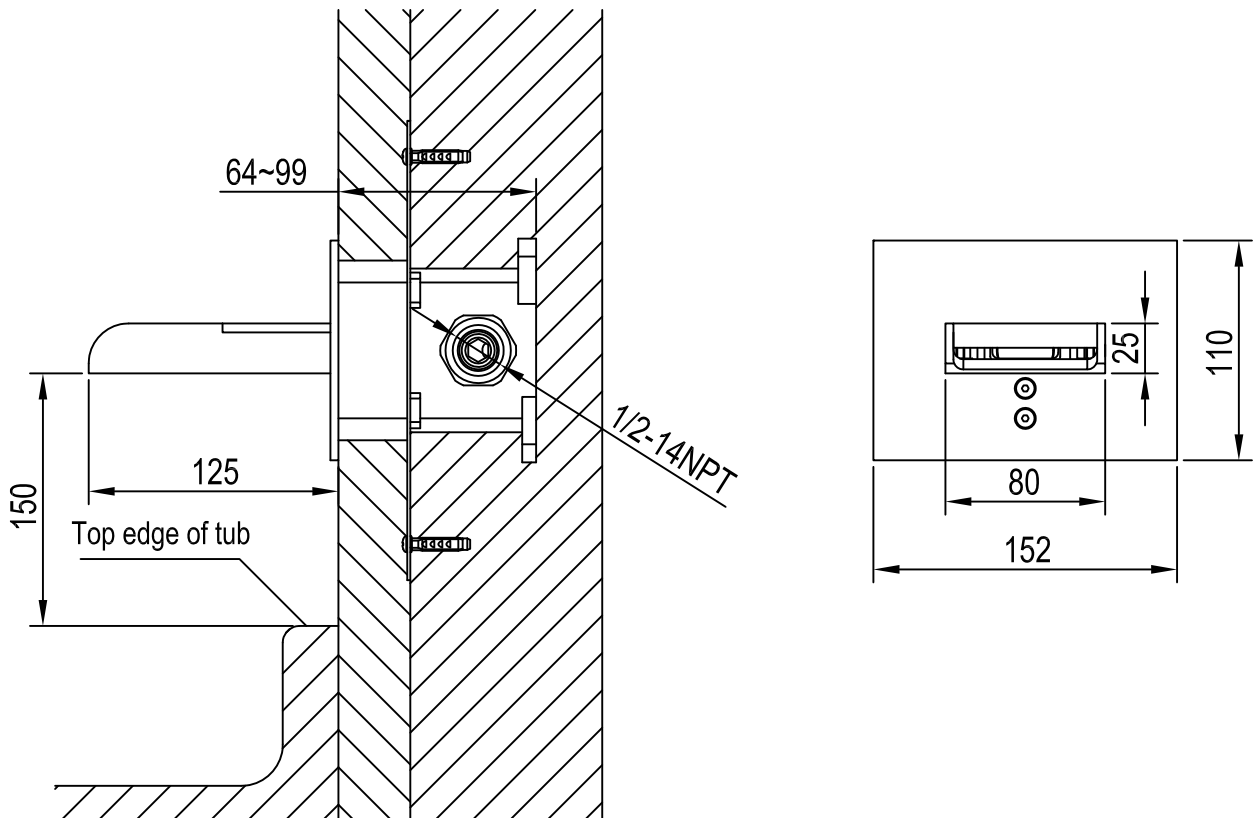
List of Components	Qty.	List of Components	Qty.
1.Expansion plug	4	6.Plate & spout combination	1
2.Main body	1	7.Bolt	1
3.Self-tapping screw A	4	8.Allen wrench	1
4.Positioning bar	1	9.Instruction manual	1
5.Self-tapping screw B	4		

※Installation Instructions:

- ☆ Do not disassemble the main body, as it has been installed & commissioned correctly & precisely before leaving the factory.
- ☆ To avoid the faucet from jamming, do flush the water pipe before installation.
- ☆ After installation, make sure every joint safely sealed & no leaking.
- ☆ Using condition: Working pressure at 0.05-1.0MPa (including cold & hot water pressure) with applicable water temperature: 4°C- 90°C.
- ☆ Make sure to connect the hot/cold inlet pipe correctly, if standing in front, hot water pipe connecting to the left & cold water pipe connecting to the right.

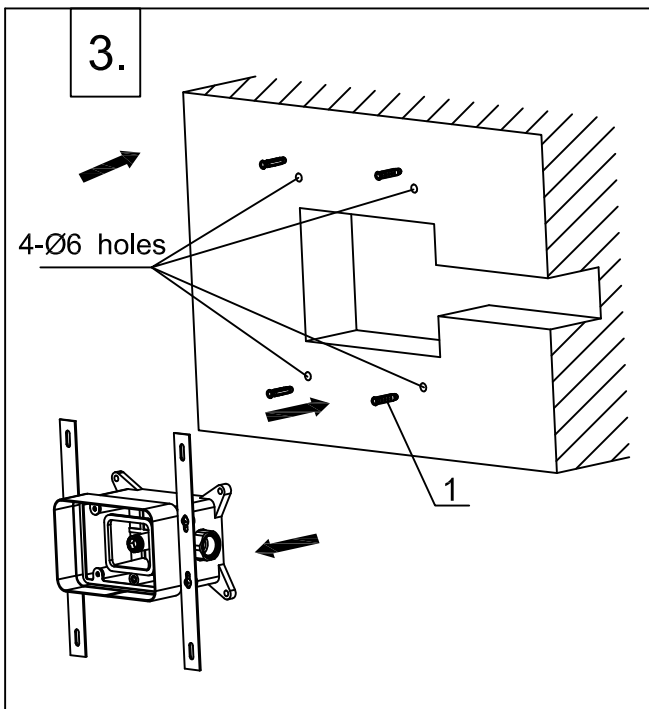


※ Dimension Drawings

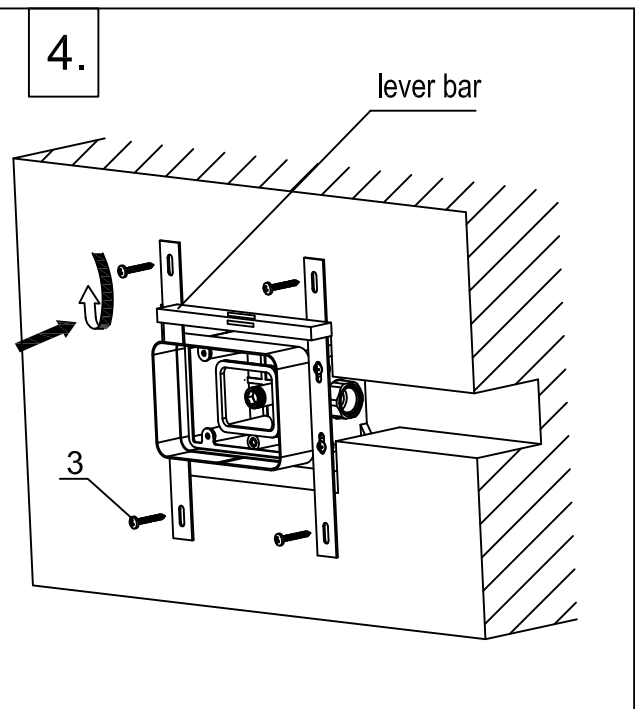


※ Installation Procedures:

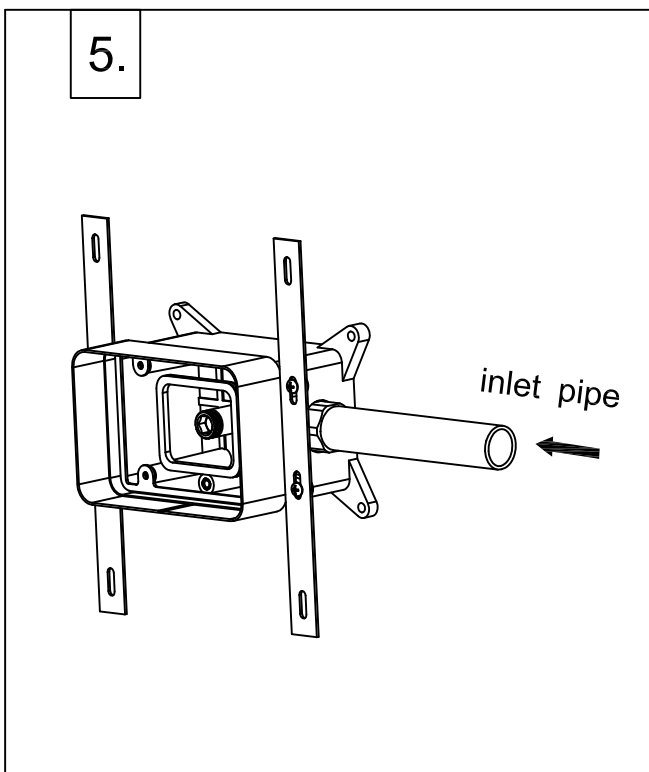
<p>1.</p> <p>For wallcut space.</p>	<p>2.</p> <p>For drilling holes</p>
<p>1. Dig caves in the wall as per above dimensions.</p>	<p>2. Fix the positioning bars(4) to the main body (2) with self-tapping screw 2(5). Measure the hole positions on the wall with the positioning bars. Make sure that the positioning bars must be pressed completely to the wall.</p>



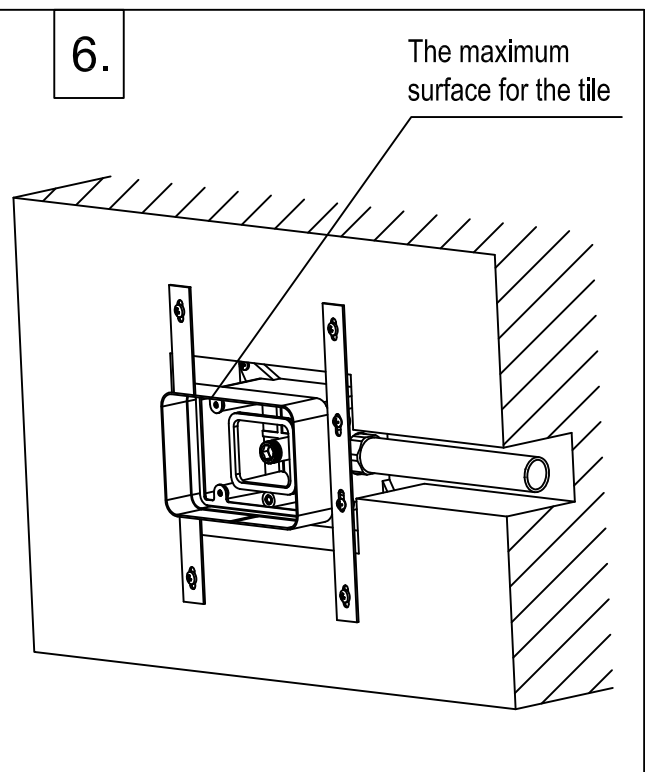
3. Drill 4-Ø6 holes, and knock the expansion plugs (1) inside.



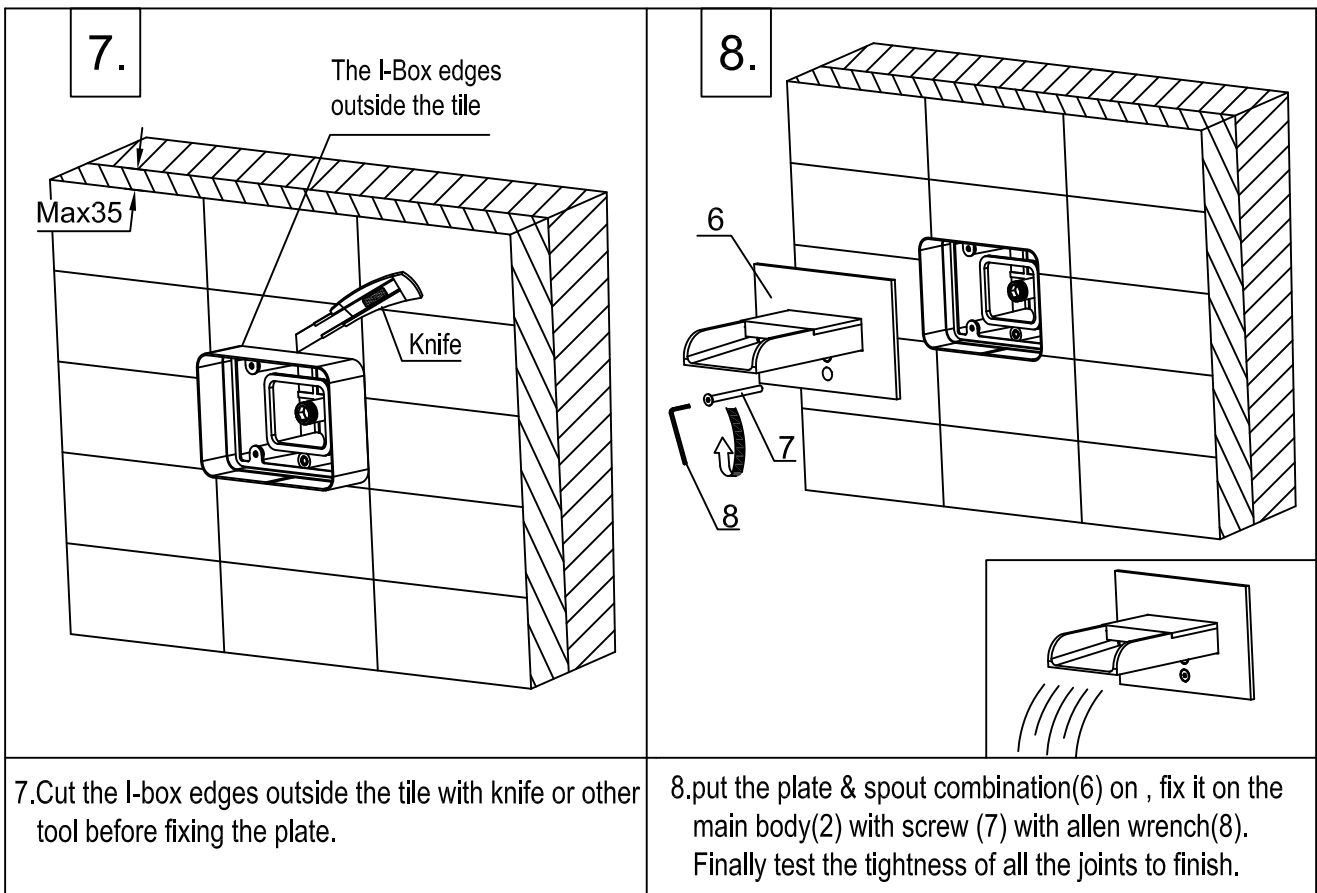
4. Put the self-tapping screws 1(3) through the holes on the positioning bars, and fix the main body(2) in the cave, be sure to lever the main body(2) to be horizontal before tightening.



5. Connect to the water supplies and test the tightness.
Testing conditions:
At opening position to water test the water inlet pipe, water pressure $\leq 0.4\text{MPa}$.



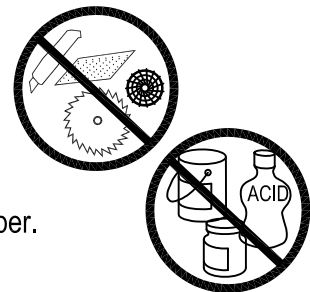
6. Make sure the thickness of the tiling shall be less than 35mm, not to over the top of the installation box (hereinafter called I-box).



※ Cleaning & Maintenance

☆ To keep the product clean & shining, follow the steps as below:

1. Flush with clean water & dry with soft cloth only;
2. If any dirt, clean with soft liquid or transparent glass detergent.
3. Do not use any scrubbing detergent, polisher, sand-cloth, paper tissue or scraper.
4. Do not use acid detergent, indissolvable grain-like detergent or soap.
5. Circumrotate the aerator off and clean it when necessary.



※ This installation manual is only for your reference, the final right to explain & revise is belongs to us.

Serial number : 80010112060