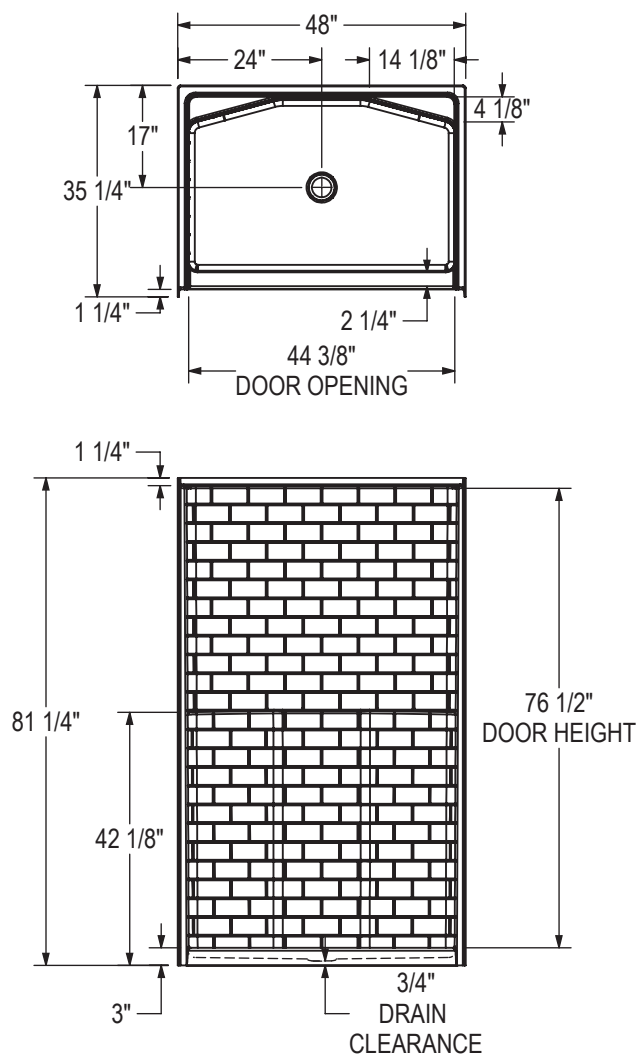
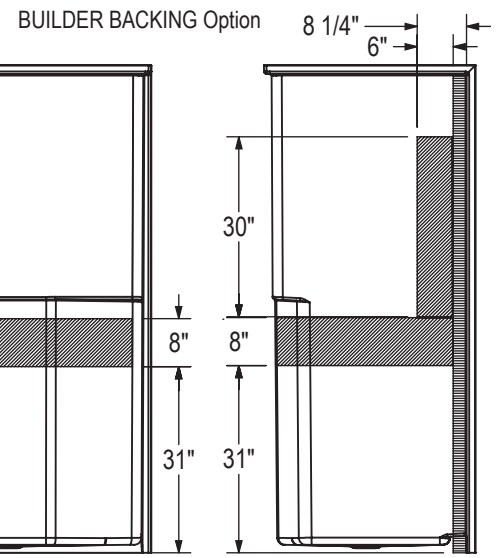


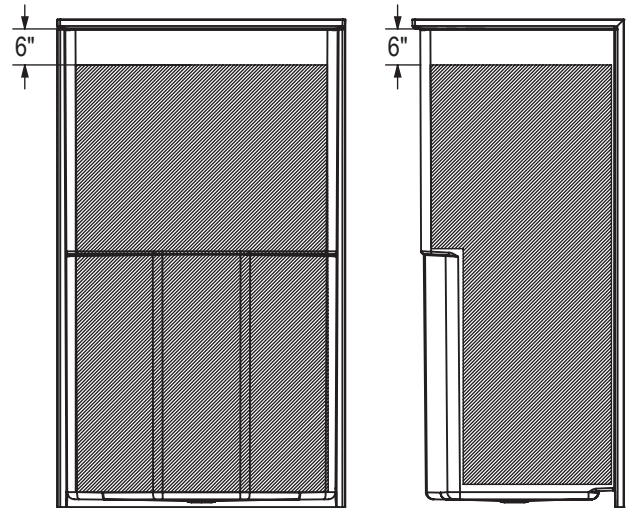
STANDARD MODEL



REINFORCEMENT BACKING



FULL WALL Reinforcement Option
SINGLE WALL Reinforcement Option



All dimensions are approximate. Structure measurements must be verified against the unit to ensure proper fit.