



**OPTS-6032 TUB SHOWER
MASSACHUSETTS COMPLIANT**

SUBMITTAL SHEET
521 CMR (MASSACHUSETTS)
FHA, CSA B45.5-11 / IAPMO Z124-2011, HUD UM 73a, ASTM F-462

**TO COMPLETE YOUR ORDER, THIS DOCUMENT MUST BE SIGNED AND FAXED TO AKER ORDER DESK
FAX: (304) 263-8369 • PHONE: 1-800-962-2537**

DATE: _____

CUSTOMER: _____

SHIP TO: _____

P.O. #: _____

QUANTITY: _____

/ /

PLUMBING CONTRACTOR APPROVAL _____ DATE _____

/ /

ENGINEER APPROVAL _____ DATE _____

JOB NAME: _____

QUOTE#: _____

PHONE: _____

SPECIAL NOTES: _____

/ /

GENERAL CONTRACTOR APPROVAL _____ DATE _____

/ /

ARCHITECT APPROVAL _____ DATE _____

IMPORTANT NOTES:

1. MAAX assumes no responsibility for final code compliance. Information and specifications taken from this document must be confirmed with appropriate authorities.
2. Units are code compliant when fully equipped and installed according to guidelines.

INTERIOR DIMENSIONS	57" L x 31 1/2" W x 69 3/4" H
EXTERIOR DIMENSIONS	59 3/4" L x 34" W x 74 1/2" H
APRON HEIGHT	17 3/4"
WEIGHT	154 LB
MATERIAL	GELCOAT
WARRANTY	5 YEARS

STANDARD FEATURES

- 1-piece tub shower
- Reinforced according to Fair Housing Act accessibility requirements
- Right or left-hand drain
- Textured bottom
- Above-the-Floor Rough (AFR)
- Available in standard and non-standard colors

COMPLIANT PACKAGE

Fully equipped - Massachusetts compliant

Tub shower base model with complete Massachusetts package

- 2 x 48" Horizontal straight textured stainless steel grab bars
- Removable Phenolic white seat
- Chrome pressure balance mixing valve with hand-held shower
- Chrome 30" slide bar & 60" hose

Specify colors

White Bone Biscuit

Non-standard color: _____

Options

- 56" Chrome curtain rod (factory-installed)
- Chrome recessed soap dish (drilled, not installed)

Accessories (sold separately)

- 60" white vinyl shower curtain with stainless steel hooks

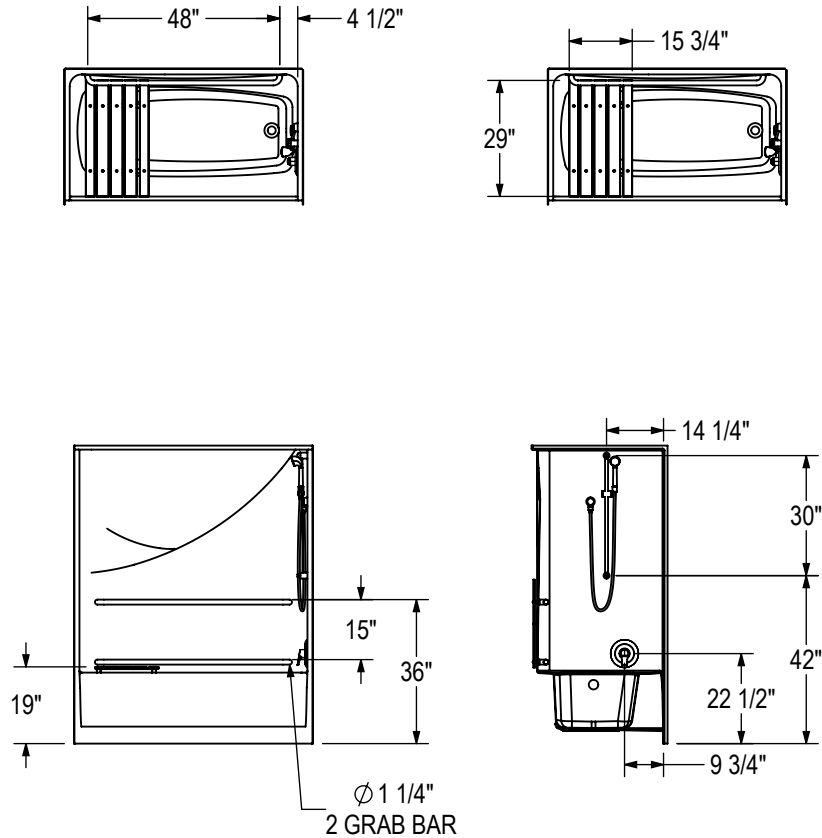
(141316-R/L)



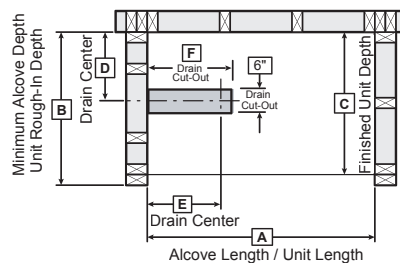
**TO COMPLETE YOUR ORDER, THIS DOCUMENT MUST BE SIGNED AND FAXED TO AKER ORDER DESK
FAX: (304) 263-8369 • PHONE: 1-800-962-2537**

TECHNICAL DRAWINGS

Right side shown
Left side symmetrical



FRAMING DIMENSIONS



Model	A	B	C	D	E	F
141316	59 3/4"	34"	33"	15 1/2"	8"	10 1/2"

MINIMUM CLEARANCE

TUB SHOWER 60" X 32"	
MASS.	
G	48"
H	36"

Clearance zone from the control wall and adjacent to the open face.

