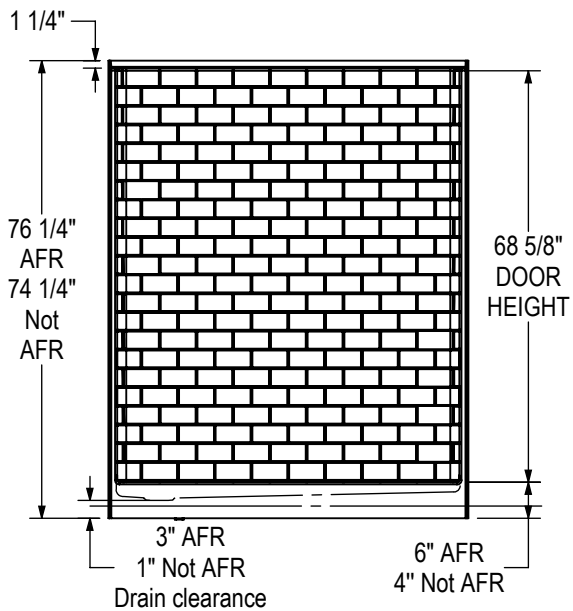
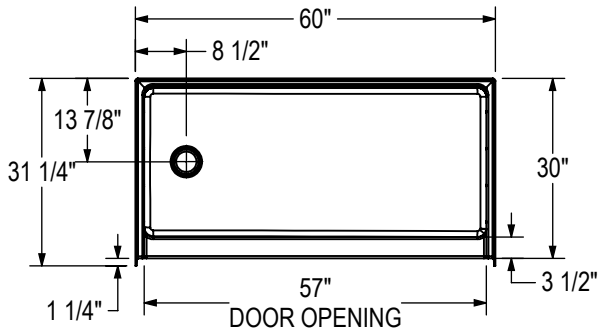
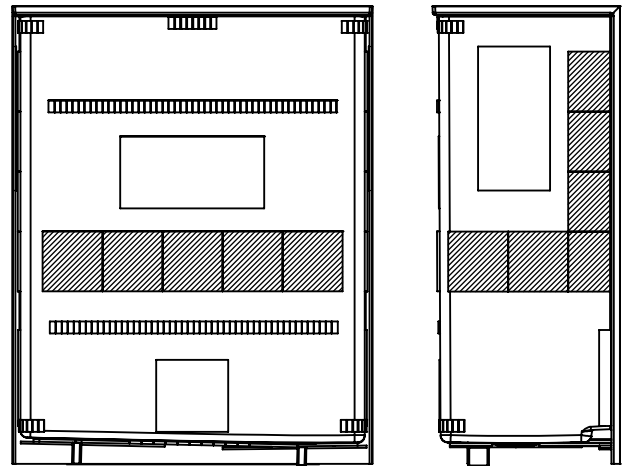


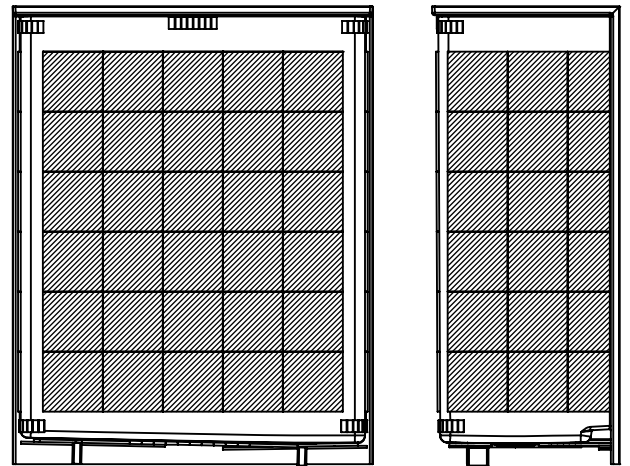
STANDARD MODEL



BUILDER BACKING



FULL REINFORCEMENT BACKING



All dimensions are approximate. Structure measurements must be verified against the unit to ensure proper fit.