

TECHNICAL SPECIFICATIONS

OPS-6036-RS - Base Model

MODEL NUMBER 141336

DIMENSIONS: 60" x 36" x 76 5/8" Gelcoat



STANDARD FEATURES

- One-piece roll-in shower reinforced according to FHA accessibility requirements
- Configurable to be compliant with major accessibility codes when properly installed
- Center drain
- Textured bottom
- 3/4 inch reduced skirt and 1/2 inch high threshold

Complete ADA compliant package (without seat) shown in below picture

UNIQUE FEATURES

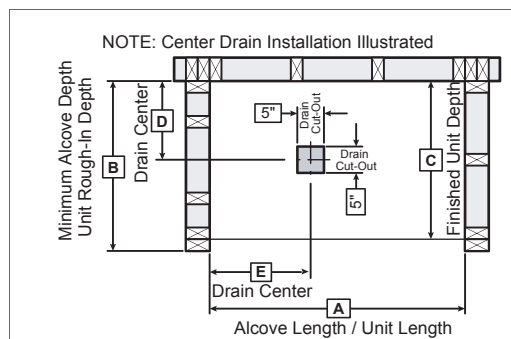
- None

OPTIONS

- Chrome recessed soap dish (drilled, not installed)
- 60" Curtain rod
- Solid Brass drain with Chrome plated Stainless Steel grid
- 72 in. White vinyl shower curtain with Stainless Steel hooks

SYSTEMS

- None



Model	A	B	C	D	E
141336	62 1/2	39 1/4	38 1/4	19 5/8	31 1/4

Project :

Contractor :

AKER Representative : Tel :

Date :

CERTIFICATIONS

AKER products adhere to one or more of the following certifications:



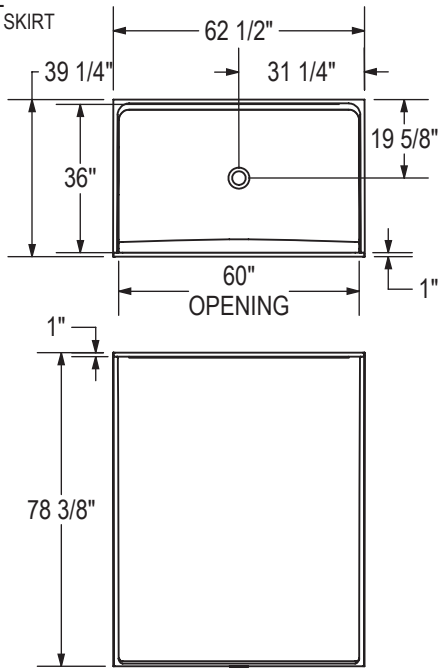
TECHNICAL SPECIFICATIONS

OPS-6036-RS - Base Model

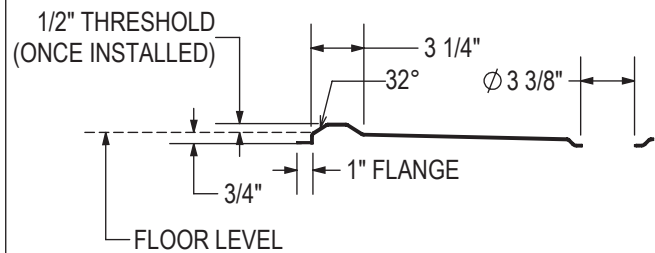
MODEL NUMBER 141336

TECHNICAL DRAWINGS

BASE MODEL WITH REDUCED SKIRT

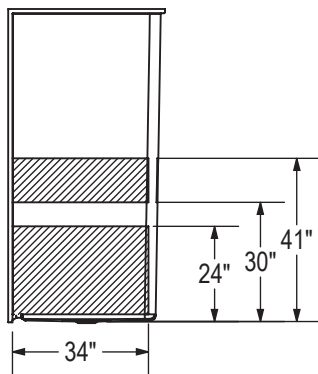


THRESHOLD DETAIL (REDUCED SKIRT)

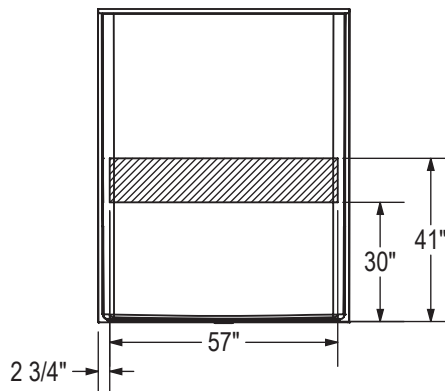


REINFORCEMENT BACKING

RIGHT WALL SHOWN
LEFT WALL SYMMETRICAL



BACK WALL



All dimensions are approximate. Structure measurements must be verified against the unit to ensure proper fit.