

TECHNICAL SPECIFICATIONS



SBOO-4272

MODEL NUMBER 141110

DIMENSIONS: 72" x 41" x 22 1/2" Gelcoat



STANDARD FEATURES

- Armrests at each tub end
- Raised headrests
- Symmetrical backrests with lumbar supports
- Deep bathing well
- 20 1/2 inch deep sump
- Bottom bathing well: 38 1/2 inch L x 26 1/2 inch W
- Textured floor
- Deck for faucet
- Center drain
- Drop-in installation


UNIQUE FEATURES

- None

OPTIONS

- In-line heater (factory-installed)
- Pump position opposite standard position
- Ozonator for whirlpool system
- Trim Kit for Bodywrap Whirlpool System

SYSTEMS

 Bodywrap **DOOR**

SELECTION

Combine with AKER's complete shower door offering visit www.akerbymaax.com

CERTIFICATIONS

AKER products adhere to one or more of the following certifications:



Project :

Contractor :

AKER Representative : Tel :

Date :

www.akerbymaax.com

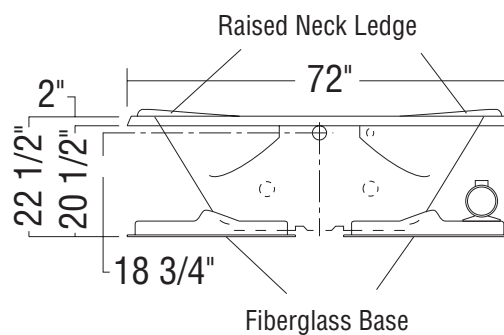
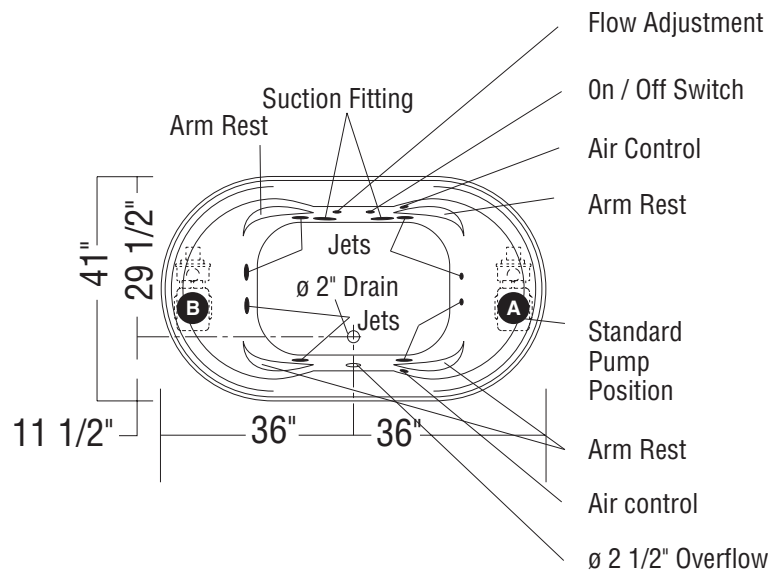
2017-08-10

TECHNICAL SPECIFICATIONS

SBOO-4272

MODEL NUMBER 141110

TECHNICAL DRAWINGS



8-jet Bodywrap System SBOO-4272 / BWS (illustrated)