

TECHNICAL SPECIFICATIONS

SPL-3950

MODEL NUMBER 141365

DIMENSIONS: 50 1/2" x 39 1/2" x 3" Gelcoat



STANDARD FEATURES

- Rectangular gelcoat shower base
- 3 inch low threshold base
- Integrated tiling flange
- Center drain
- Smooth floor finish
- Superior base strength with balsa wood reinforcement
- 36 x 48 inch Clear inside dimensions

UNIQUE FEATURES

- Tiling Flange

OPTIONS

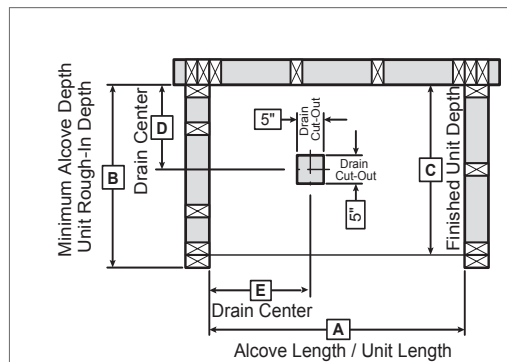
- None

SYSTEMS

- None

DOOR SELECTION

Combine with AKER's complete shower door offering visit www.akerbymax.com



Model	A	B	C	D	E
141365	50 1/2"	40 1/4"	39 1/4"	19 1/4"	25 1/4"

Project :

Contractor :

AKER Representative : Tel :

Date :

CERTIFICATIONS

AKER products adhere to one or more of the following certifications:

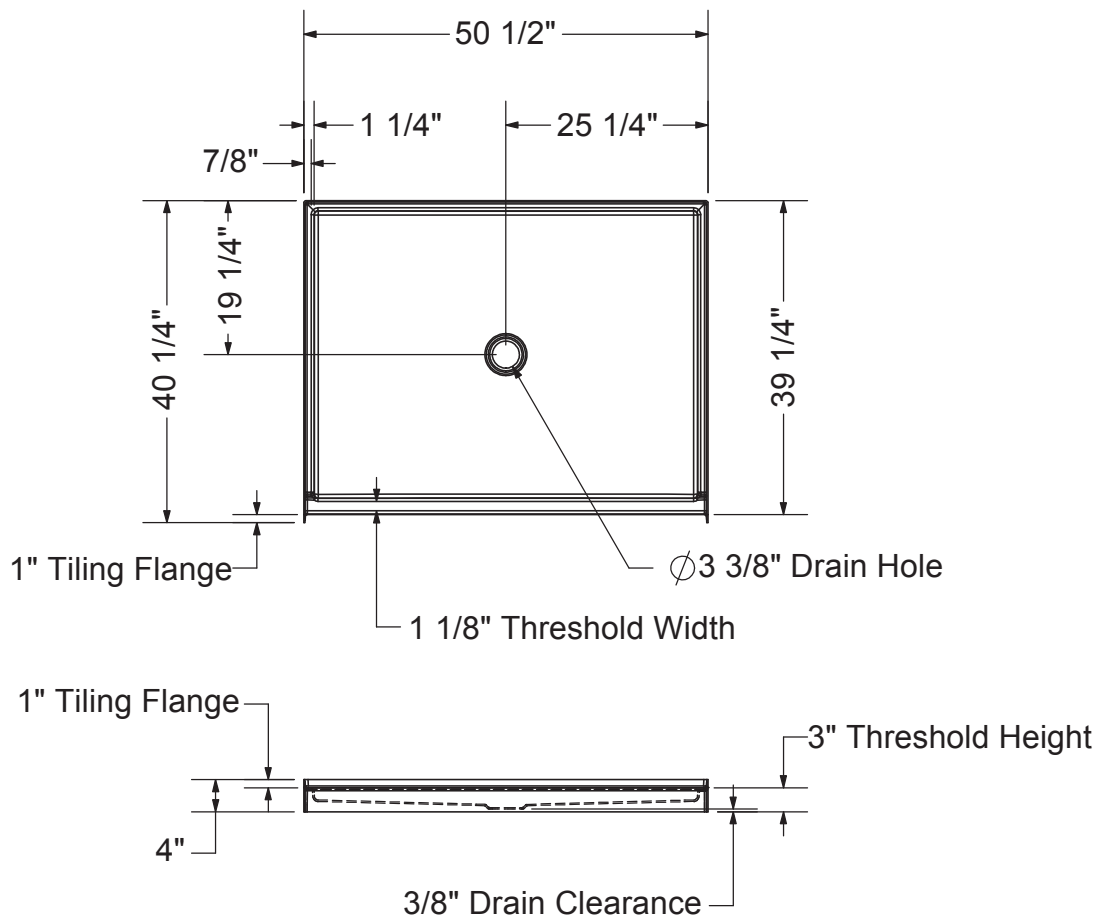


TECHNICAL SPECIFICATIONS

SPL-3950

MODEL NUMBER 141365

TECHNICAL DRAWINGS



All dimensions are approximate. Structure measurements must be verified against the unit to ensure proper fit.