

TECHNICAL SPECIFICATIONS

OVA-4260

MODEL NUMBER 141081

DIMENSIONS: 60" x 42" x 21" Gelcoat



STANDARD FEATURES

- Spacious bathing well
- Integrated apron & tiling flange
- Backrest with lumbar support
- Deck for faucet
- 20 1/4 inch deep sump
- Bottom bathing well: 42 inch L x 26 1/2 inch W
- Textured floor
- Right or left drain
- Alcove installation

UNIQUE FEATURES

- Tiling Flange

OPTIONS

- In-line heater (factory-installed)
- Pump position opposite standard position
- Ozonator for whirlpool system
- Trim Kit for Bodywrap Whirlpool System

SYSTEMS

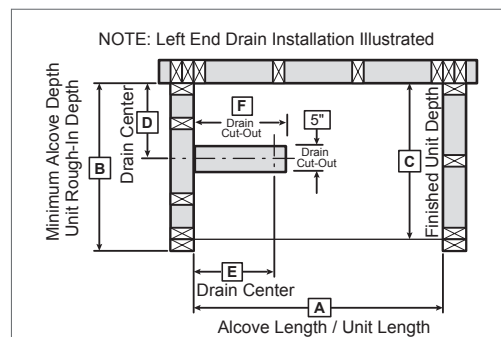
- Homestead Bodywrap

DOOR SELECTION

Combine with AKER's complete shower door offering visit www.akerbymax.com

CERTIFICATIONS

AKER products adhere to one or more of the following certifications:



Model	A	B	C	D	E	F
141081	60"	43 1/2"	42"	21"	10"	13"

Project :

Contractor :

AKER Representative : Tel :

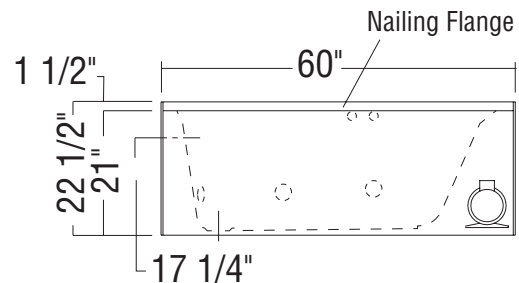
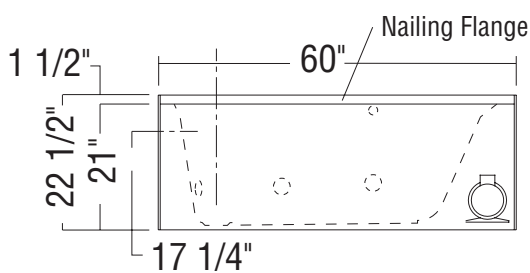
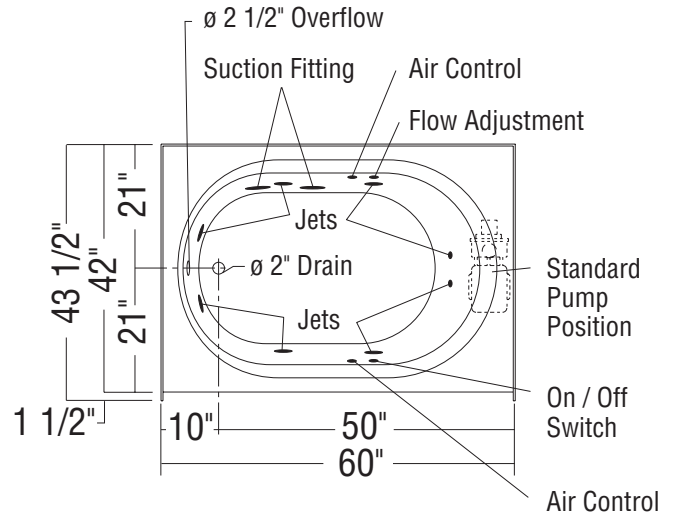
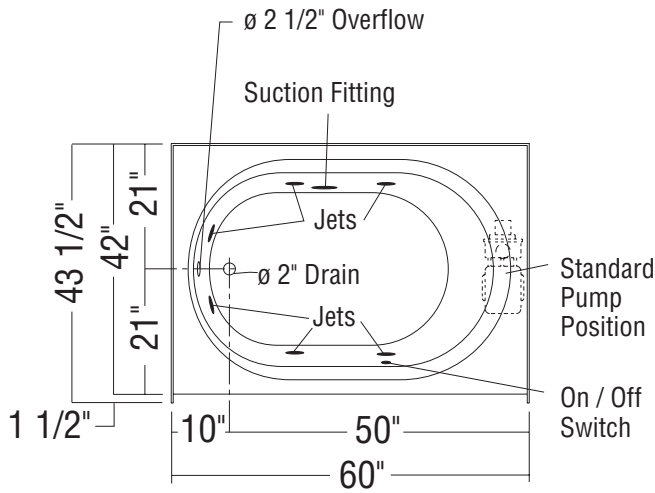
Date :

TECHNICAL SPECIFICATIONS

OVA-4260

MODEL NUMBER 141081

TECHNICAL DRAWINGS



6-jet Homestead Collection OVA-4260L
HMS (illustrated)

8-jet Bodywrap System OVA-4260L
BWS (illustrated)