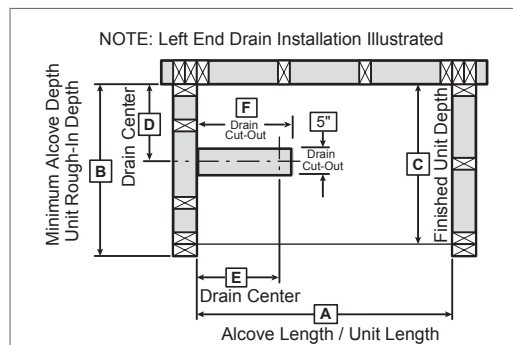


TECHNICAL SPECIFICATIONS

TS-3660

MODEL NUMBER 141227

DIMENSIONS: 59 7/8" x 35 7/8" x 75 1/8" Gelcoat



Model	A	B	C	D	E
141227	59 7/8"	37 3/8"	35 7/8"	18 5/8"	8 1/4"

STANDARD FEATURES

- One-piece gelcoated fiberglass tub-shower
- Built-in top corner shelves and integrated soap dish
- Right or left-hand drain
- Textured floor
- 14 1/2 inch deep sump
- Bottom bathing well : 44 inch L x 21 3/8 inch W
- Optional unique features:
Above-the-Floor Rough and reinforced walls

UNIQUE FEATURES

- Above-the-Floor Rough (AFR)

OPTIONS

- In-line heater (factory-installed)
- Pump position opposite standard position
- All walls reinforced
- Wall reinforcement (one wall)

SYSTEMS

Homestead **DOOR**

SELECTION

Combine with AKER's complete shower door offering visit www.akerbymaax.com

CERTIFICATIONS

AKER products adhere to one or more of the following certifications:



Project :

Contractor :

AKER Representative : Tel :

Date :

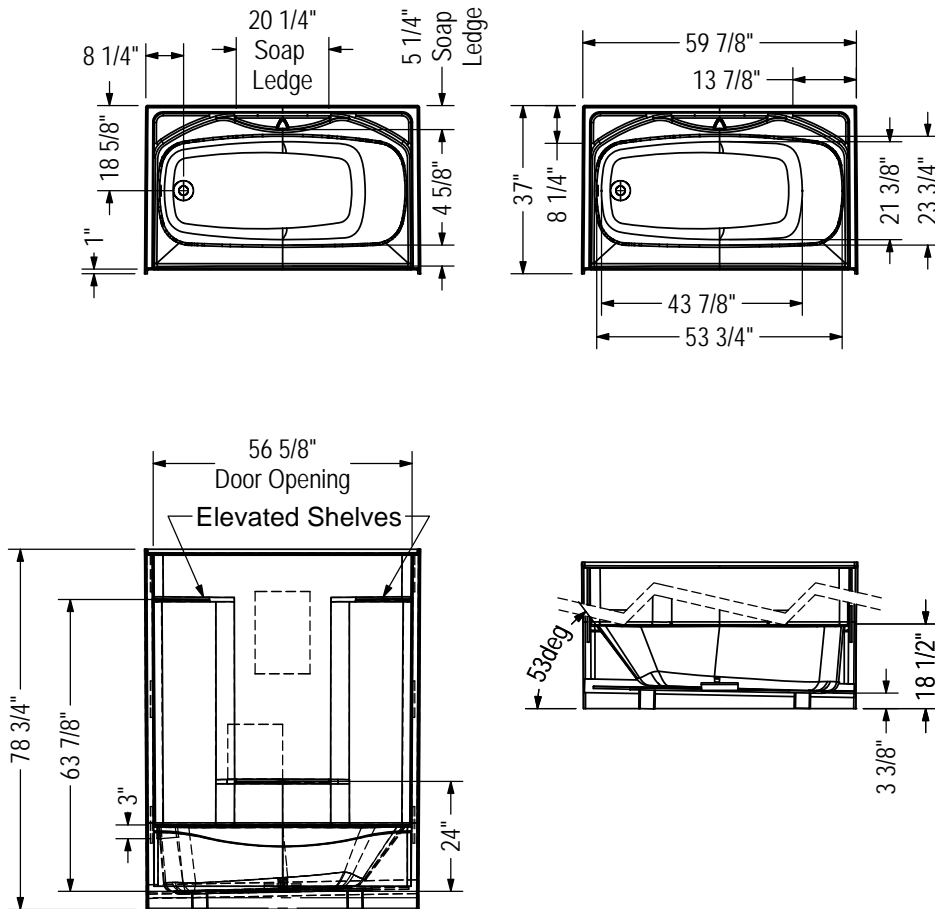
TECHNICAL SPECIFICATIONS

TS-3660

MODEL NUMBER 141227

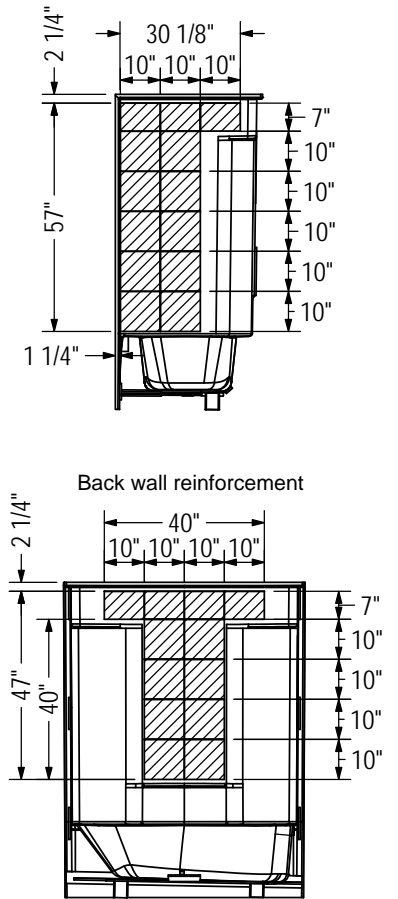
TECHNICAL DRAWINGS

STANDARD



REINFORCEMENT BACKING

Right wall reinforcement shown
Left wall reinforcement symmetrical



All dimensions are approximate. Structure measurements must be verified against the unit to ensure proper fit.