

TECHNICAL SPECIFICATIONS

OPS-3636-RS - Base Model

MODEL NUMBER 141321

DIMENSIONS: 36" x 36" x 76 5/8" Gelcoat



STANDARD FEATURES

- One-piece transfer shower reinforced according to FHA accessibility requirements
- Configurable to be compliant with major accessibility codes when properly installed
- Center drain
- Textured bottom
- 3/4 inch reduced skirt and 1/2 inch high threshold

UNIQUE FEATURES

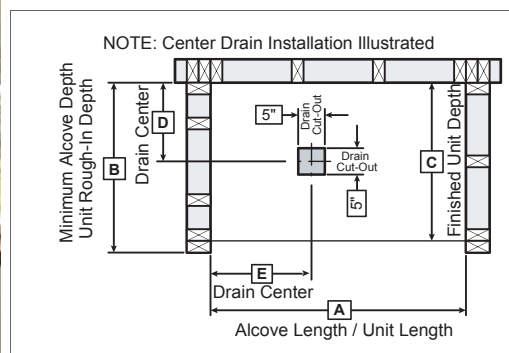
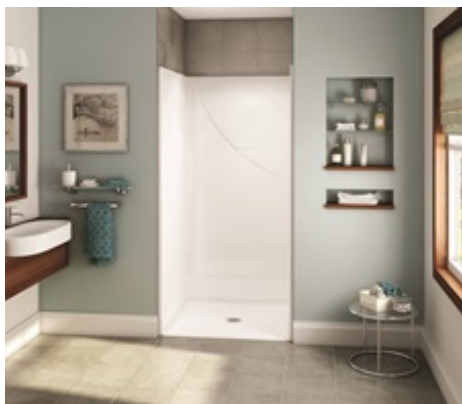
- None

OPTIONS

- 36" Chrome curtain rod
- Chrome recessed soap dish (drilled, not installed)
- Solid Brass drain with Chrome plated Stainless Steel grid
- 36" White vinyl shower curtain

SYSTEMS

- None



Model	A	B	C	D	E
141321	38 3/4	39	38	19 1/2	19 3/8

Project :

Contractor :

AKER Representative : Tel :

Date :

CERTIFICATIONS

AKER products adhere to one or more of the following certifications:

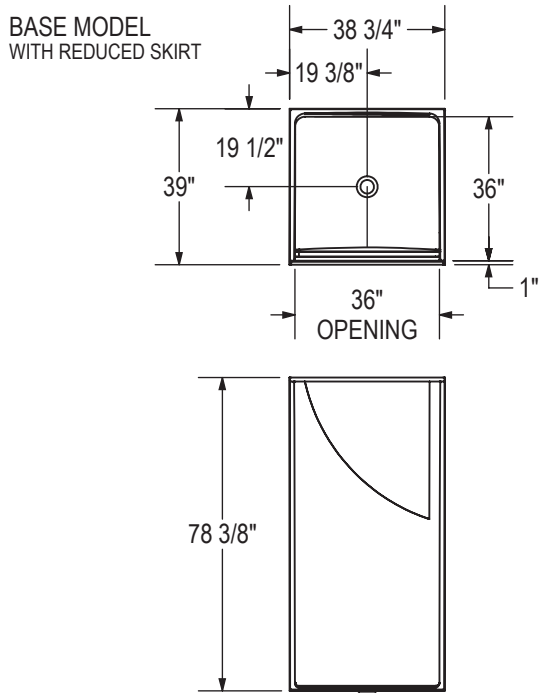


TECHNICAL SPECIFICATIONS

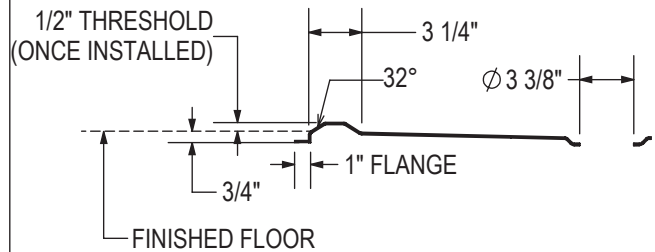
OPS-3636-RS - Base Model

MODEL NUMBER 141321

TECHNICAL DRAWINGS



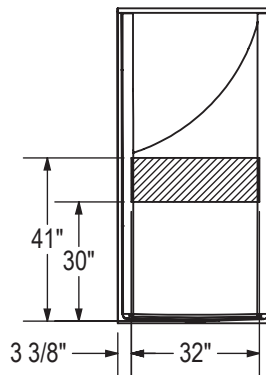
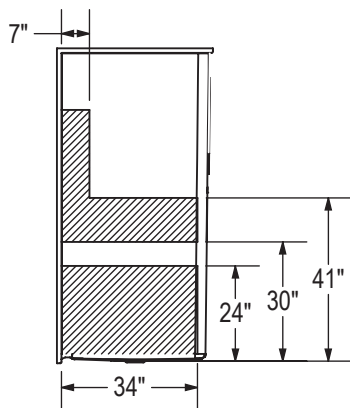
THRESHOLD DETAIL (REDUCED SKIRT)



REINFORCEMENT BACKING

RIGHT WALL SHOWN
LEFT WALL SYMMETRICAL

BACK WALL



All dimensions are approximate. Structure measurements must be verified against the unit to ensure proper fit.