

TECHNICAL SPECIFICATIONS

SPS 3460

MODEL NUMBER 142044

DIMENSIONS: 59 7/8" x 33 1/2" x 20 1/8" Gelcoat



STANDARD FEATURES

- Rectangular shower base
- Tile adaptor required for door installation
- Integrated tiling flange
- Right or left integrated seat
- 3 3/8 inch Above-the-Floor Rough available
- Textured floor
- Right, Left or Center drain

UNIQUE FEATURES

- Tiling Flange

OPTIONS

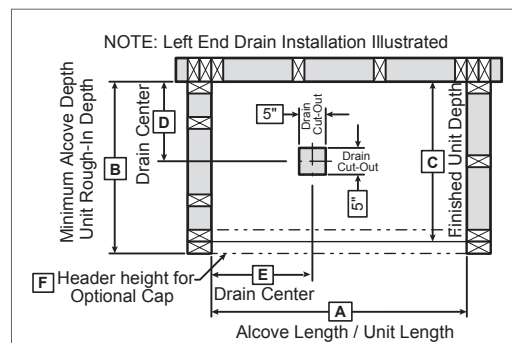
- Tile Adaptor (for door installation)

SYSTEMS

- None

DOOR SELECTION

Combine with AKER's complete shower door offering visit www.akerbymax.com



Model	A	B	C	D	E
142044	60	34 1/2"	33 1/2"	14 1/8"	8 5/8" / 30"

CERTIFICATIONS

AKER products adhere to one or more of the following certifications:



Project :

Contractor :

AKER Representative : Tel :

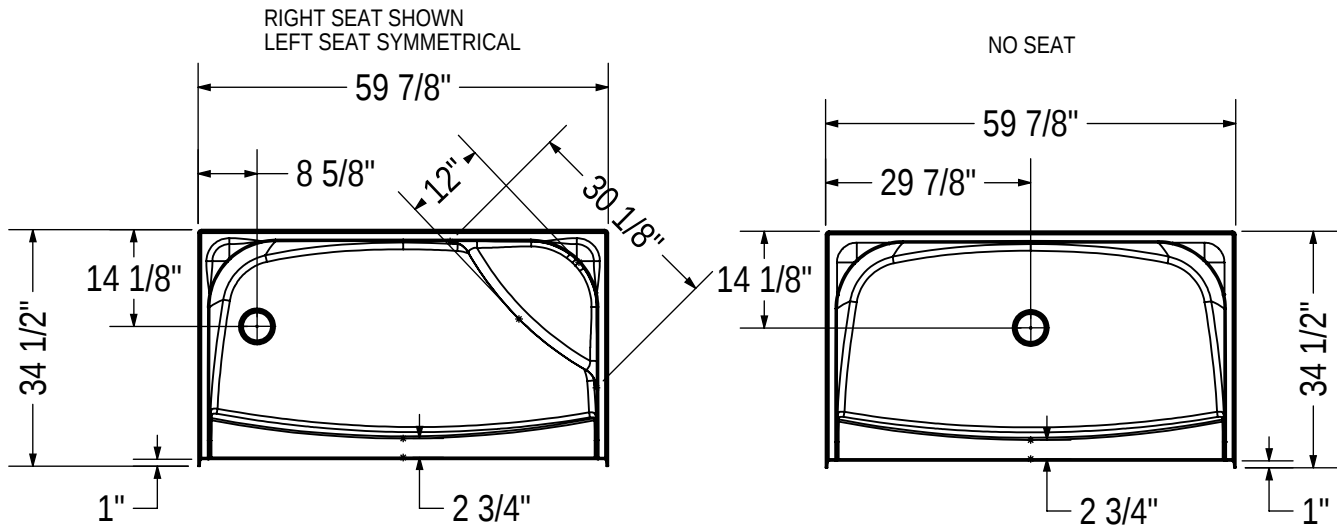
Date :

TECHNICAL SPECIFICATIONS

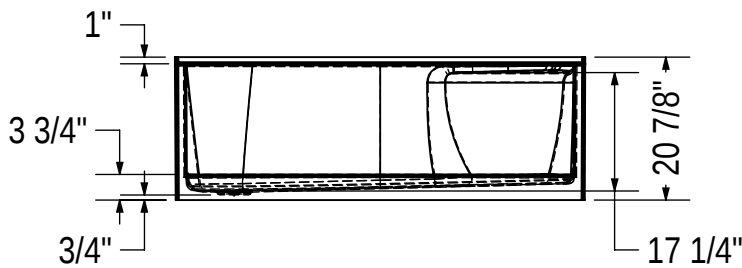
SPS 3460

MODEL NUMBER 142044

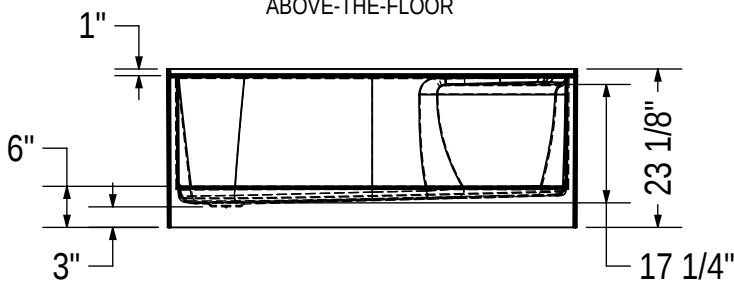
TECHNICAL DRAWINGS



NOT ABOVE-THE-FLOOR



ABOVE-THE-FLOOR



© 2017 KER, a division of MAAX. All rights reserved. SPS 3460 is a registered trademark of KER. MAAX is a registered trademark of MAAX. All other trademarks are the property of their respective owners.