

TECHNICAL SPECIFICATIONS

SBA-3660

MODEL NUMBER 141080

DIMENSIONS: 60" x 36 1/2" x 21 1/4" Gelcoat



STANDARD FEATURES

- Deep and spacious bathing well
- Integrated apron & tiling flange
- Deck for faucet
- Armrests
- 20 1/2 inch deep sump
- Bottom bathing well: 45 inch L x 25 inch W
- Right or left drain
- 3 inch Above-the-Floor Rough available
- Textured floor
- Alcove installation

UNIQUE FEATURES

- Above-the-Floor Rough (AFR)
- Tiling Flange

OPTIONS

- In-line heater (factory-installed)
- Pump position opposite standard position
- Ozonator for whirlpool system
- Trim Kit for Bodywrap Whirlpool System

SYSTEMS

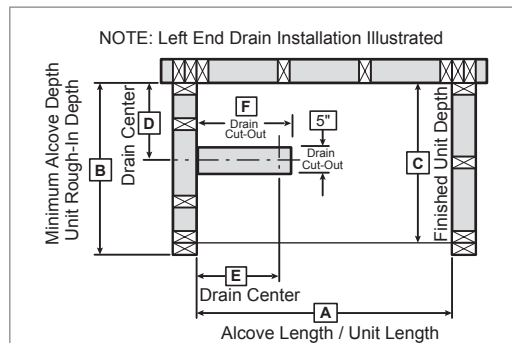
- Homestead Bodywrap

DOOR SELECTION

Combine with AKER's complete shower door offering visit www.akerbymaax.com

CERTIFICATIONS

AKER products adhere to one or more of the following certifications:



Model	A	B	C	D	E	F
141080	60"	38"	36 1/2"	17 1/4"	8 3/8"	11 3/8"

Project :

Contractor :

AKER Representative : Tel :

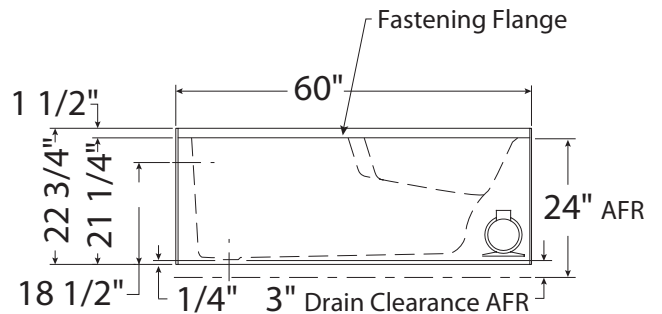
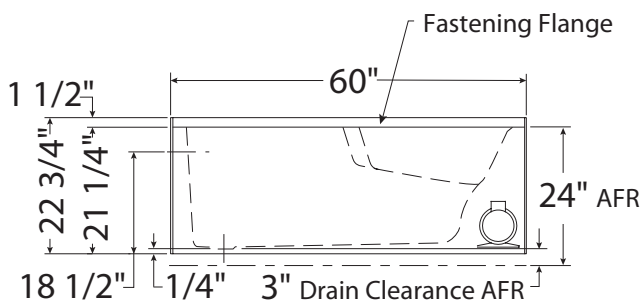
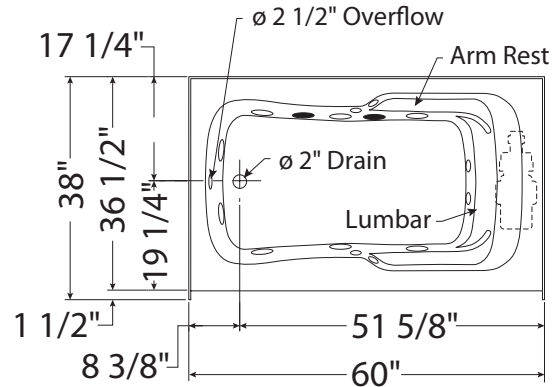
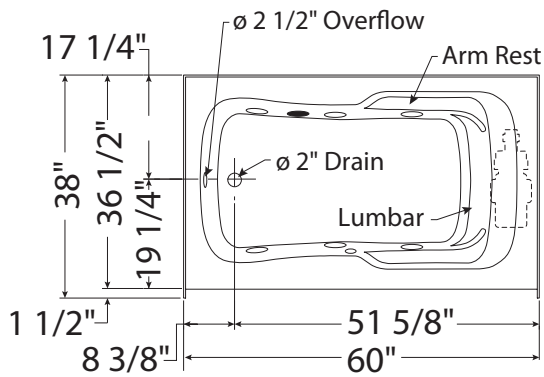
Date :

TECHNICAL SPECIFICATIONS

SBA-3660

MODEL NUMBER 141080

TECHNICAL DRAWINGS



6-jet Homestead System SBA-3660L
HMS (illustrated)

10-jet Bodywrap System SBA-3660L
BWS (illustrated)