

TECHNICAL SPECIFICATIONS

OPS-3636-RS - with MASS grab bar and seat

MODEL NUMBER 141367

DIMENSIONS: 36" x 36" x 76 5/8" Gelcoat



STANDARD FEATURES

- 1-piece transfer shower reinforced according to FHA accessibility requirements
- 2 x Horizontal Straight 30" textured Stainless Steel grab bars (factory installed) and L-shaped fold-up phenolic white seat
- Center drain
- Textured bottom
- 3/4" reduced skirt and 1/2" high threshold

UNIQUE FEATURES

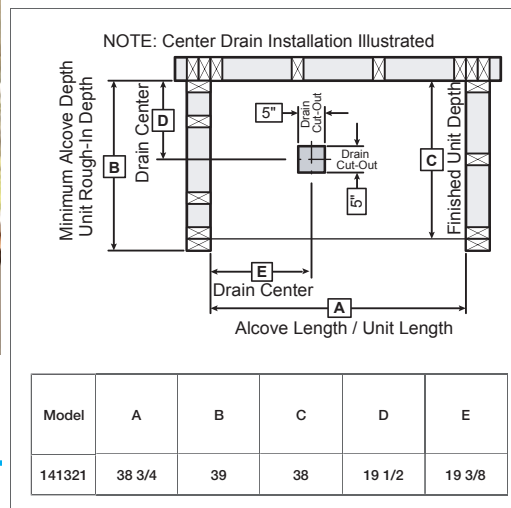
- None

OPTIONS

- Chrome recessed soap dish (drilled, not installed)
- Solid Brass drain with Chrome plated Stainless Steel grid
- 36" Chrome curtain rod
- 36" White vinyl shower curtain

SYSTEMS

- None



Project :

Contractor :

AKER Representative : Tel :

Date :

CERTIFICATIONS

AKER products adhere to one or more of the following certifications:



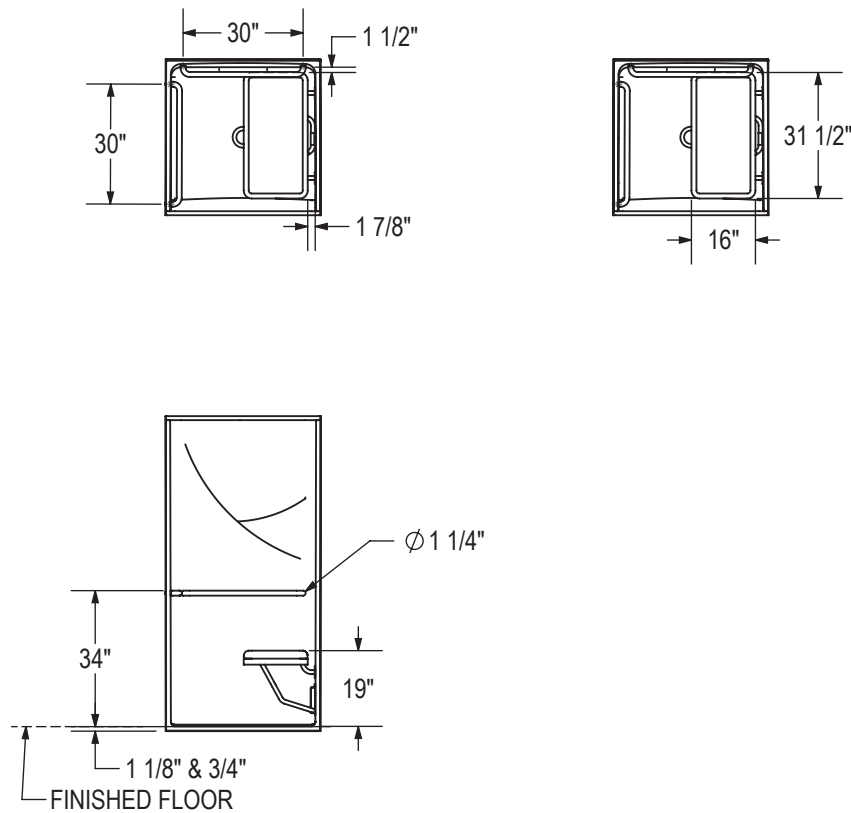
TECHNICAL SPECIFICATIONS

OPS-3636-RS - with MASS grab bar and seat

MODEL NUMBER 141367

TECHNICAL DRAWINGS

BASE MODEL WITH MASS GRAB BAR & SEAT PACKAGE
 LEFT SIDE SHOWN
 RIGHT SIDE SYMMETRICAL



All dimensions are approximate. Structure measurements must be verified against the unit to ensure proper fit.