

# TECHNICAL SPECIFICATIONS

## TO-2954

**MODEL NUMBER 141077**

DIMENSIONS: 54" x 29" x 16" Gelcoat



### STANDARD FEATURES

- Integrated tiling flange
- 2 inch Above-the-Floor Rough available
- Textured floor
- Right or left drain
- Alcove installation
- 14 1/4 inch deep sump
- Bottom bathing well : 40 inch L x 20 1/2 inch W

### UNIQUE FEATURES

- Above-the-Floor Rough (AFR)
- Tiling Flange

### OPTIONS

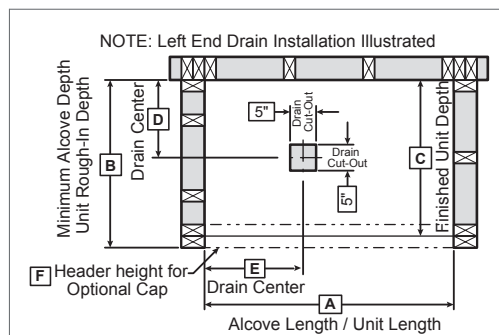
- None

### SYSTEMS

- None

### DOOR SELECTION

Combine with AKER's complete shower door offering visit [www.akerbymax.com](http://www.akerbymax.com)



| Model  | A   | B       | C   | D       | E      |
|--------|-----|---------|-----|---------|--------|
| 141077 | 54" | 30 1/2" | 29" | 13 1/4" | 8 1/2" |

Project : .....

Contractor : .....

AKER Representative : ..... Tel : .....

Date : .....

### CERTIFICATIONS

AKER products adhere to one or more of the following certifications:

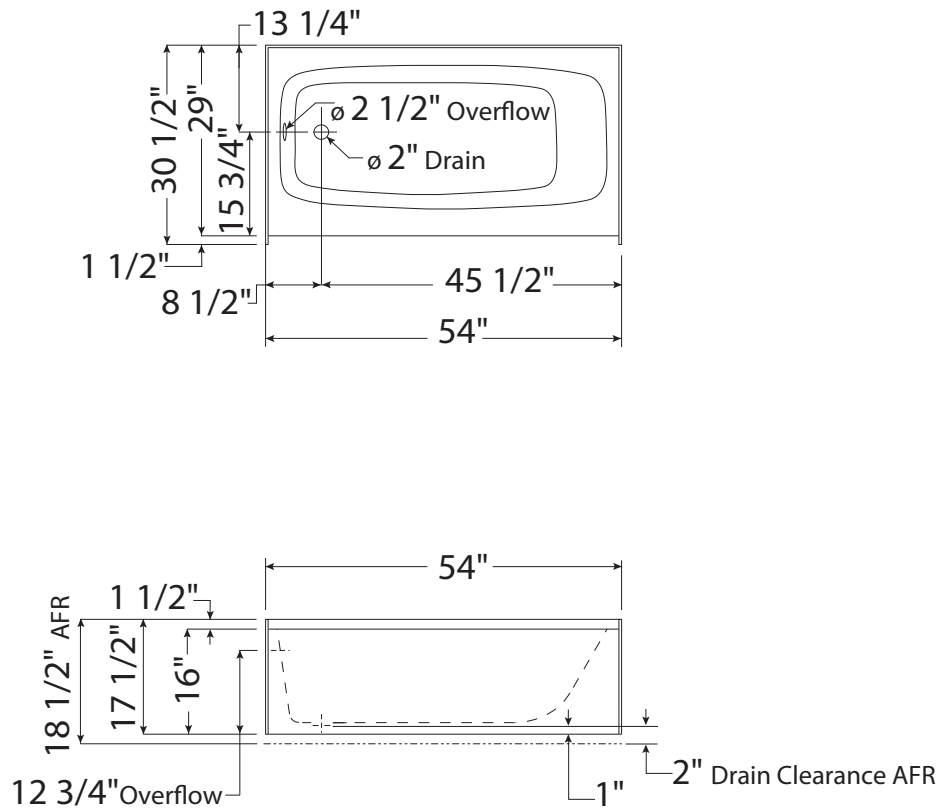


# TECHNICAL SPECIFICATIONS

## TO-2954

MODEL NUMBER 141077

### TECHNICAL DRAWINGS



All dimensions are approximate. Structure measurements must be verified against the unit to ensure proper fit.