

TECHNICAL SPECIFICATIONS

SPS 3460 AFR

MODEL NUMBER 142045

DIMENSIONS: 59 7/8" x 33 1/2" x 22 1/8" Gelcoat



STANDARD FEATURES

- Rectangular shower base
- Integrated tiling flange
- Right or left integrated seat
- (3 3/8 in.) Above-the-Floor Rough
- Textured floor
- Right, Left or Center drain

UNIQUE FEATURES

- Tiling Flange
- Above-the-Floor Rough (AFR)

OPTIONS

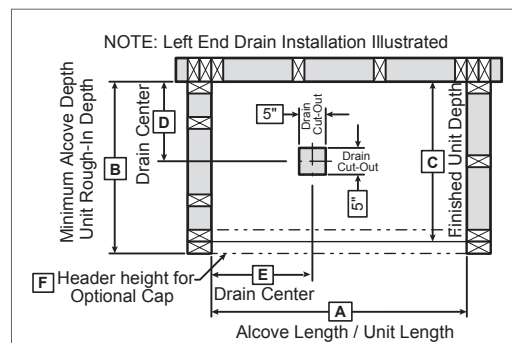
- Tile Adaptor (for door installation)

SYSTEMS

- None

DOOR SELECTION

Combine with AKER's complete shower door offering visit www.akerbymax.com



Model	A	B	C	D	E
142044	60	34 1/2"	33 1/2"	14 1/8"	8 5/8" / 30"

Project :

Contractor :

AKER Representative : Tel :

Date :

CERTIFICATIONS

AKER products adhere to one or more of the following certifications:

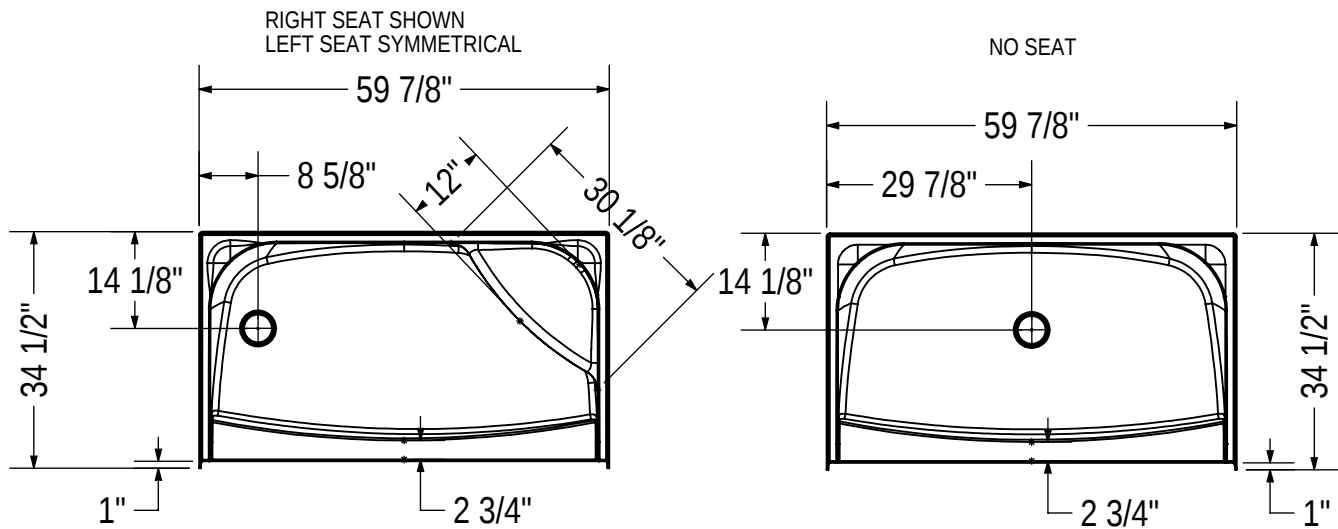


TECHNICAL SPECIFICATIONS

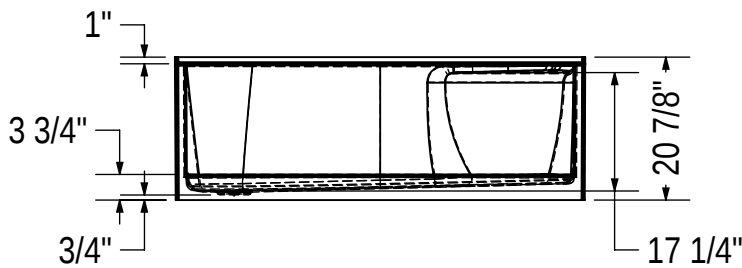
SPS 3460 AFR

MODEL NUMBER 142045

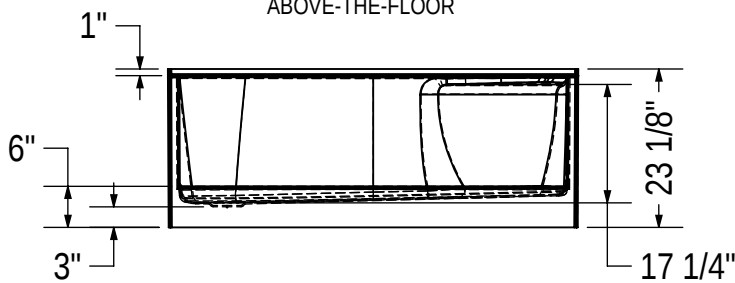
TECHNICAL DRAWINGS



NOT ABOVE-THE-FLOOR



ABOVE-THE-FLOOR



© 2017 KER, a division of MAAX. All rights reserved. No part of this document may be reproduced without written permission from MAAX.