

TECHNICAL SPECIFICATIONS

OPTS-6032 - with ADA Grab Bars & Seat

MODEL NUMBER 141312

DIMENSIONS: 57" x 31 1/2" x 69 3/4" Gelcoat



STANDARD FEATURES

- 1-piece tub shower reinforced according to FHA accessibility requirements
- 4" x 24" horizontal straight grab bars and one removable phenolic white seat
- Right-hand or left-hand drain
- Textured bottom
- Above-the-Floor Rough

UNIQUE FEATURES

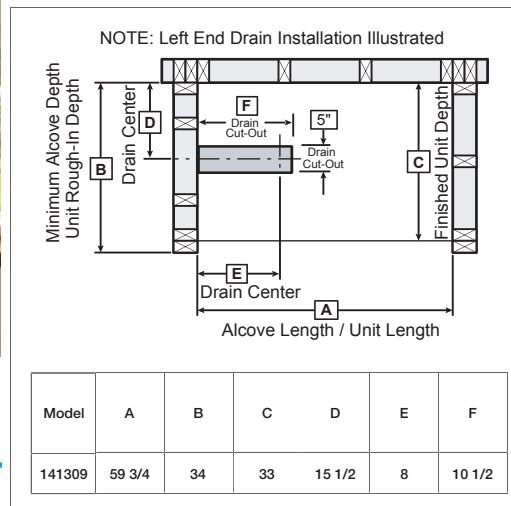
- Above-the-Floor Rough (AFR)

OPTIONS

- 56" Curtain rod (factory installed)
- 72 in. White vinyl shower curtain with Stainless Steel hooks
- Chrome recessed soap dish (drilled, not installed)

SYSTEMS

- None



CERTIFICATIONS

AKER products adhere to one or more of the following certifications:



Project :

Contractor :

AKER Representative : Tel :

Date :

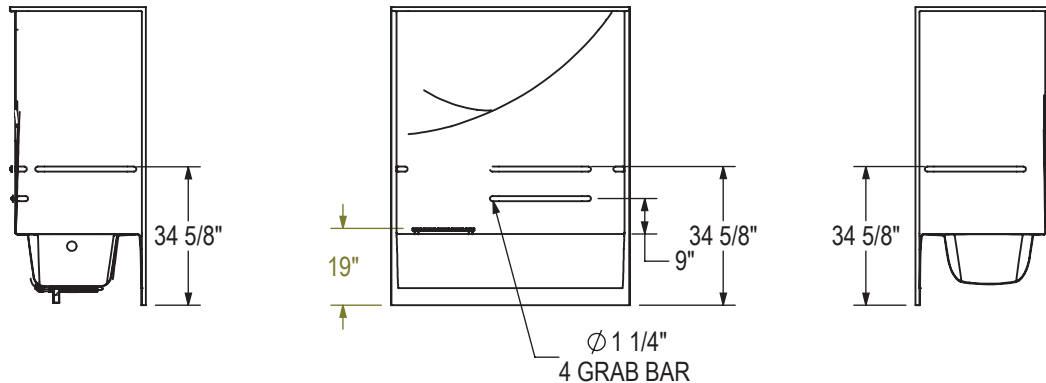
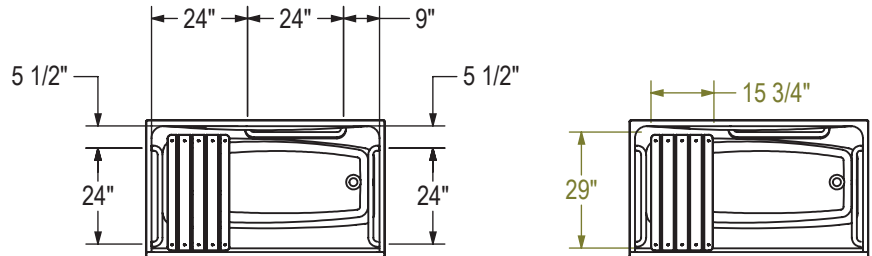
TECHNICAL SPECIFICATIONS

OPTS-6032 - with ADA Grab Bars & Seat

MODEL NUMBER 141312

TECHNICAL DRAWINGS

BASE MODEL WITH ADA GRAB BAR & SEAT PACKAGE
RIGHT SIDE SHOWN
LEFT SIDE SYMMETRICAL



All dimensions are approximate. Structure measurements must be verified against the unit to ensure proper fit.