

# TECHNICAL SPECIFICATIONS

## SP-3442

**MODEL NUMBER 141069**

DIMENSIONS: 42" x 34" x 6" Gelcoat



### STANDARD FEATURES

- Rectangular shower base
- Integrated tiling flange
- Textured floor
- Center drain

### UNIQUE FEATURES

- Tiling Flange

### OPTIONS

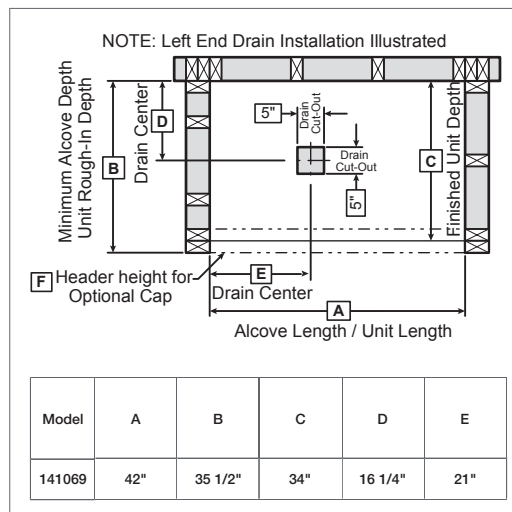
- None

### SYSTEMS

- None

### DOOR SELECTION

Combine with AKER's complete shower door offering visit [www.akerbymax.com](http://www.akerbymax.com)



Project : .....

Contractor : .....

AKER Representative : ..... Tel : .....

Date : .....

### CERTIFICATIONS

AKER products adhere to one or more of the following certifications:

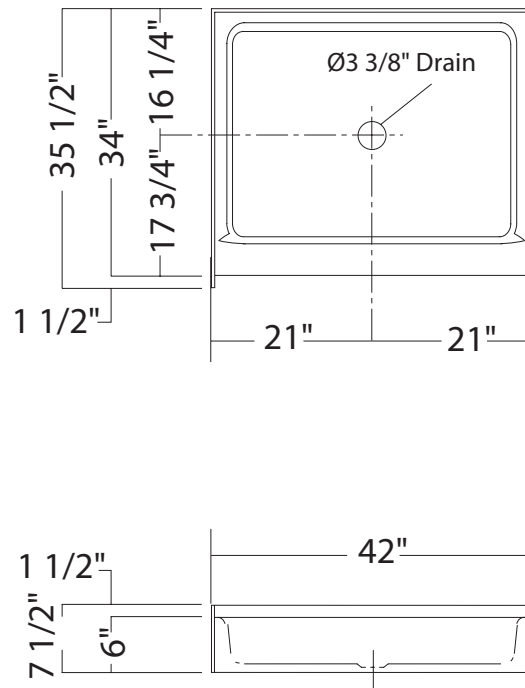


# TECHNICAL SPECIFICATIONS

## SP-3442

MODEL NUMBER 141069

### TECHNICAL DRAWINGS



All dimensions are approximate. Structure measurements must be verified against the unit to ensure proper fit.