

# TECHNICAL SPECIFICATIONS

## SHLS/RS-48

**MODEL NUMBER 141033**

DIMENSIONS: 48 1/4" x 36" x 76 1/2" Gelcoat



### STANDARD FEATURES

- One-piece gelcoated fiberglass shower with optional roofcap
- Two-level built-in corner shelves
- Right or left-hand seat
- Center drain
- Textured floor
- Optional unique feature: Above-the-Floor Rough

### UNIQUE FEATURES

- Above-the-Floor Rough (AFR)

### OPTIONS

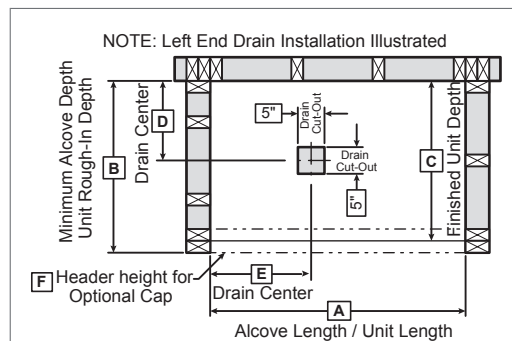
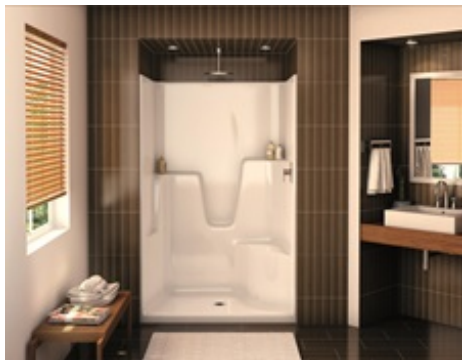
- Gelcoated fiberglass cap
- Light for roofcap (factory-drilled hole)

### SYSTEMS

- None

### DOOR SELECTION

Combine with AKER's complete shower door offering visit [www.akerbymax.com](http://www.akerbymax.com)



Model	A	B	C	D	E	F
141033	48 1/4"	37 1/2"	36"	18 1/2"	24 1/8"	88 3/4"

### CERTIFICATIONS

AKER products adhere to one or more of the following certifications:



Project : .....

Contractor : .....

AKER Representative : ..... Tel : .....

Date : .....

# TECHNICAL SPECIFICATIONS

## SHLS/RS-48

MODEL NUMBER 141033

### TECHNICAL DRAWINGS

