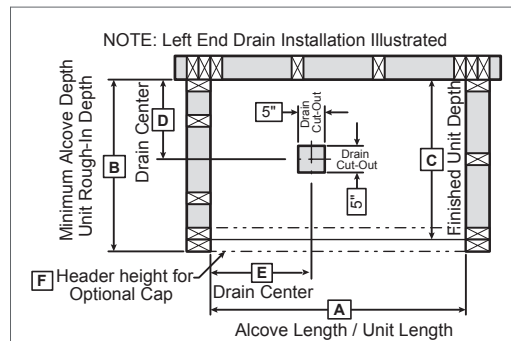


TECHNICAL SPECIFICATIONS

KDTS 2954

MODEL NUMBER 142000

DIMENSIONS: 53 7/8" x 29" x 77 1/2" Gelcoat



| Model | A | B | C | D | E |
|--------|-----|-----|-----|---------|--------|
| 142000 | 54" | 30" | 29" | 13 7/8" | 8 1/8" |

STANDARD FEATURES

- Four-piece gelcoated fiberglass tub-shower with PIN system for easy front installation
- Large top corner shelves, wide soap dish and standard acrylic handle (opt. metallic finishes)
- Bottom bathing well: 37 7/8 inch L x 19 3/8 inch W
- Optional unique features:
Reinforced walls and grab bars
- Product also available in Above-the-Floor Rough (AFR)
- Right or left-hand drain
- Textured floor
- 14 3/8 inch deep sump

UNIQUE FEATURES

- PIN system
- KDS Series Installation

OPTIONS

- Shower base only KDTS 2954 with pin system
- Side walls (right and left) for KDTS 2954, KDTS 3060 and KDS 3060
- 142060 - Back wall for KDTS 2954
- Wall reinforcement (one wall)
- Pre-assembled unit
- 18" Modern straight grab bar

SYSTEMS

- None

DOOR SELECTION CERTIFICATIONS

Combine with AKER's complete shower door offering; visit www.akerbymax.com



Project :

Contractor :

AKER Representative : Tel :

Date :

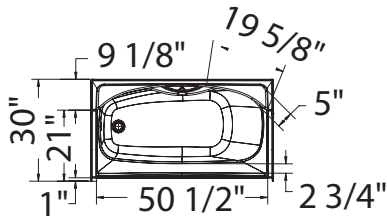
TECHNICAL SPECIFICATIONS

KDTS 2954

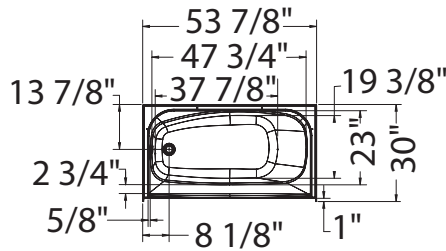
MODEL NUMBER 142000

TECHNICAL DRAWINGS

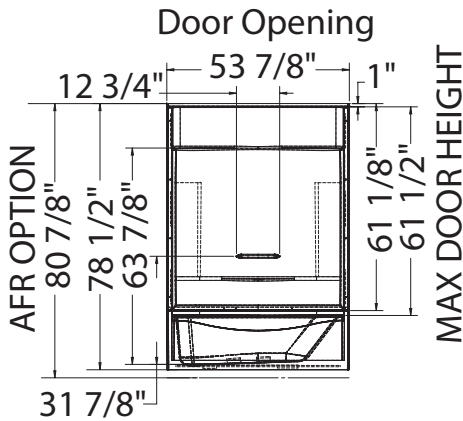
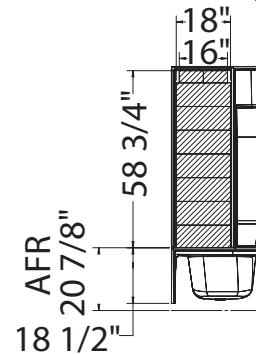
STANDARD



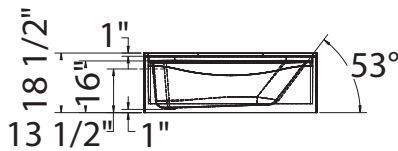
NO SYSTEM



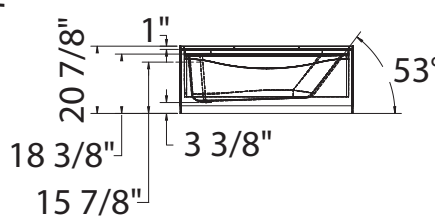
REINFORCEMENT BACKING OPTION 20212-L Shown OPTION 20212-R Symmetrical



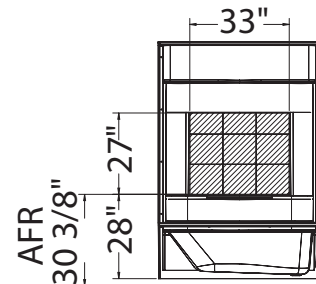
NOT ABOVE-THE-FLOOR



ABOVE-THE-FLOOR

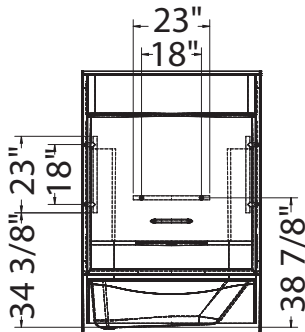


OPTION 20212-B

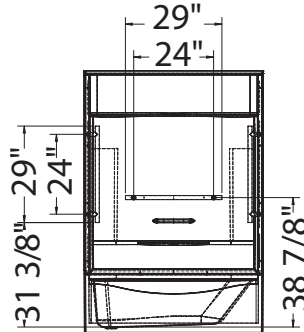


GRAB BARS

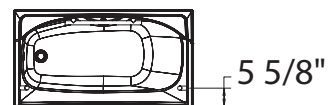
OPTION 20203



OPTION 20204



OPTION 20203-20204



All dimensions are approximate. Structure measurements must be verified against the unit to ensure proper fit.