

TECHNICAL SPECIFICATIONS

TO-3260 AFR

MODEL NUMBER 141351

DIMENSIONS: 60" x 32" x 17 3/4" Gelcoat



STANDARD FEATURES

- Meets FHA accessibility requirements
- Integrated tiling flange
- 2 3/4 in. Above-the-Floor Rough included
- Textured floor
- Right or left drain
- Alcove installation
- 14 1/4" deep sump
- Bottom bathing well: 45" L x 19 1/4" W

UNIQUE FEATURES

- Tiling Flange
- Above-the-Floor Rough (AFR)

OPTIONS

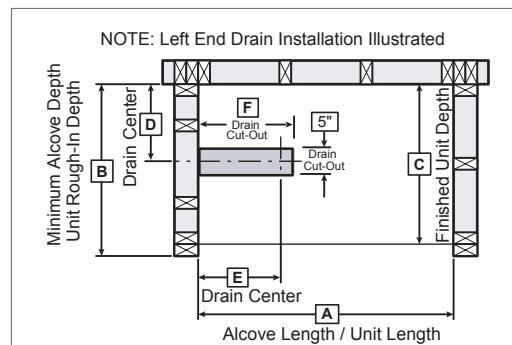
- None

SYSTEMS

- None

DOOR SELECTION

Combine with AKER's complete shower door offering visit www.akerbymax.com



Model	A	B	C	D	E	F
141350	60	33	32	15	8	10 1/2

Project :

Contractor :

AKER Representative : Tel :

Date :

CERTIFICATIONS

AKER products adhere to one or more of the following certifications:

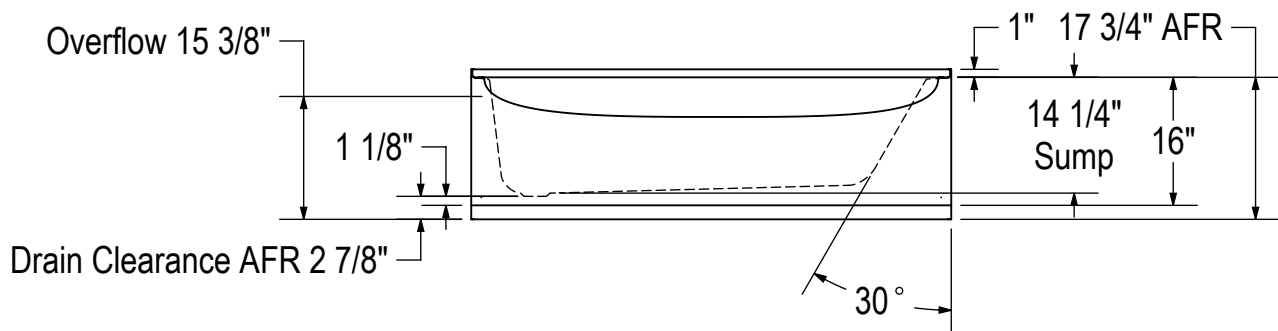
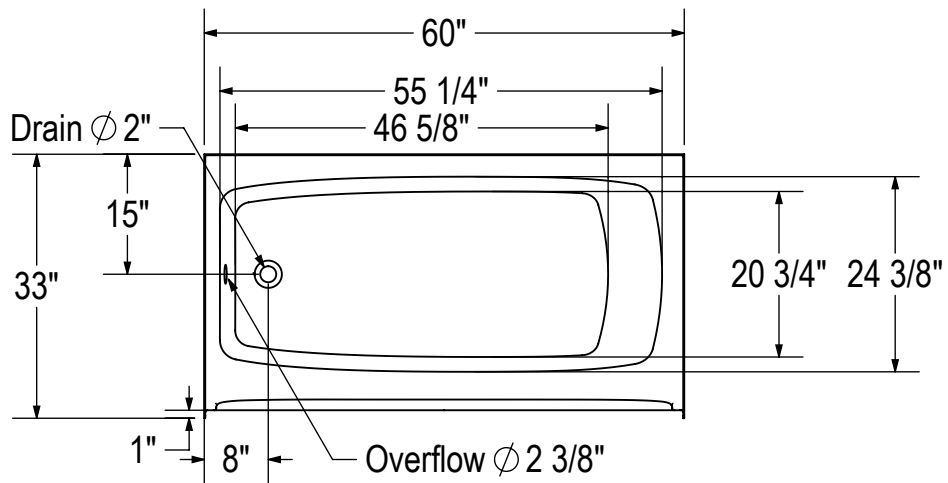


TECHNICAL SPECIFICATIONS

TO-3260 AFR

MODEL NUMBER 141351

TECHNICAL DRAWINGS



All dimensions are approximate. Structure measurements must be verified against the unit to ensure proper fit.