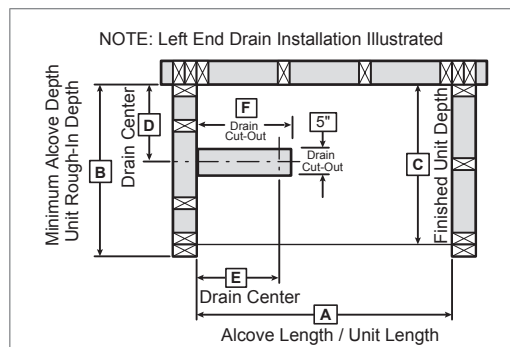


TECHNICAL SPECIFICATIONS

GB-60

MODEL NUMBER 141004

DIMENSIONS: 60" x 33" x 72" Gelcoat



Model	A	B	C	D	E	F
141004	60"	34 1/2"	33"	15 1/2"	8"	10 1/2"

STANDARD FEATURES

- One-piece gelcoated fiberglass tub-shower
- Built-in back wall shelves and integrated soap dish
- Optional roofcap
- Textured floor
- Right or left drain
- Optional unique feature: Above-the-Floor Rough
- 14 1/4 inch Deep sump
- Bottom bathing well : 45 inch L x 20 inch W

UNIQUE FEATURES

- Above-the-Floor Rough (AFR)

OPTIONS

- Gelcoated fiberglass cap
- Light for roofcap (factory-drilled hole)
- In-line heater (factory-installed)
- Pump position opposite standard position

SYSTEMS

Homestead **DOOR**

SELECTION

Combine with AKER's complete shower door offering visit www.akerbymaax.com

CERTIFICATIONS

AKER products adhere to one or more of the following certifications:



Project :

Contractor :

AKER Representative : Tel :

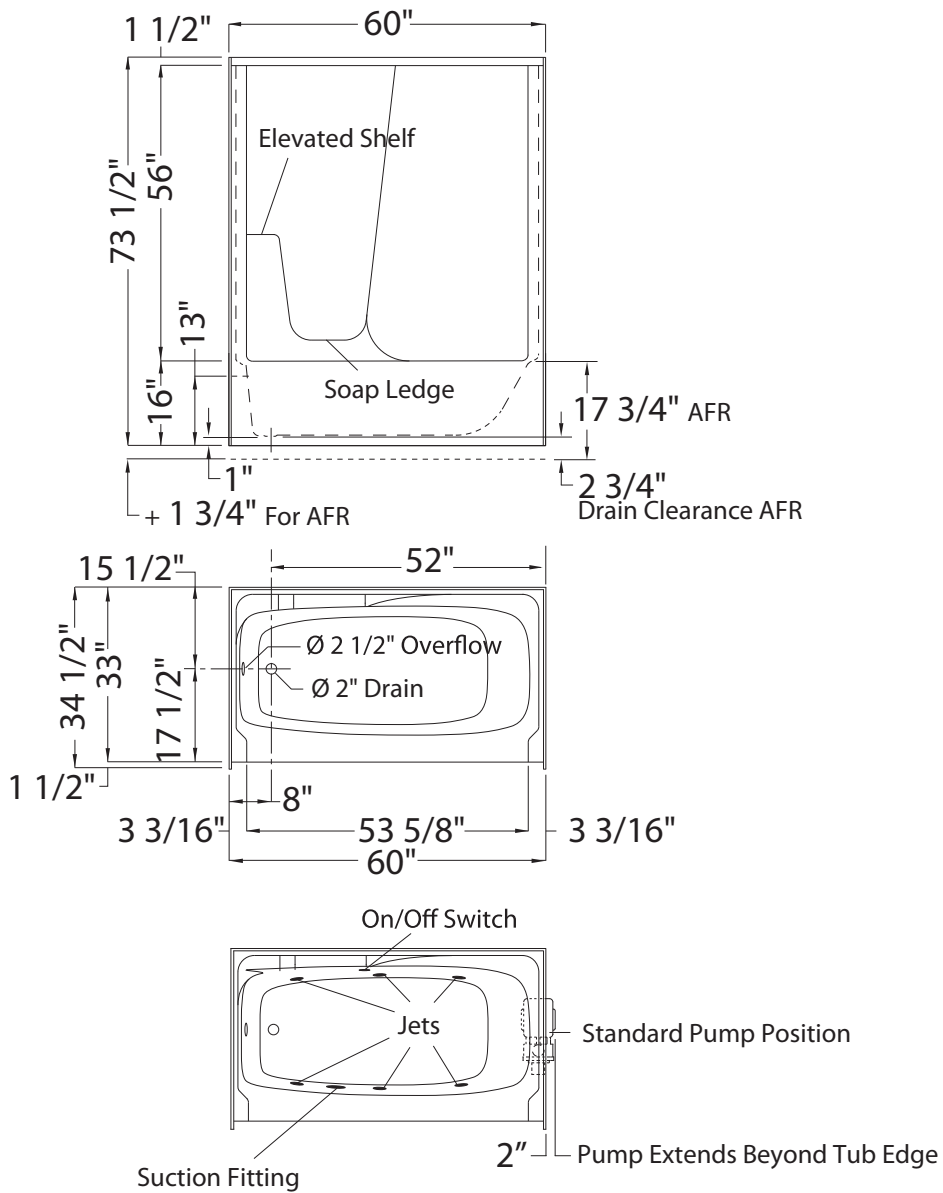
Date :

TECHNICAL SPECIFICATIONS

GB-60

MODEL NUMBER 141004

TECHNICAL DRAWINGS



All dimensions are approximate. Structure measurements must be verified against the unit to ensure proper fit.