

# TECHNICAL SPECIFICATIONS

## SBHG-4272

**MODEL NUMBER 141108**

DIMENSIONS: 72" x 42" x 21 1/2" Gelcoat



### STANDARD FEATURES

- Armrests at each tub end
- Raised headrests
- Symmetrical backrests with lumbar supports
- Deep bathing well
- 20 1/4 inch deep sump
- Bottom bathing well: 49 1/4 inch L x 30 inch W
- Textured floor
- Center drain
- Drop-in installation


### UNIQUE FEATURES

- None

### OPTIONS

- Removable solid apron kit
- Non-removable solid apron kit
- In-line heater (factory-installed)
- Pump position opposite standard position
- Designer grab bars in Chrome
- Ozonator for whirlpool system

### SYSTEMS

 Bodywrap **DOOR**

### SELECTION

Combine with AKER's complete shower door offering visit [www.akerbymax.com](http://www.akerbymax.com)

### CERTIFICATIONS

AKER products adhere to one or more of the following certifications:



Project : .....

Contractor : .....

AKER Representative : ..... Tel : .....

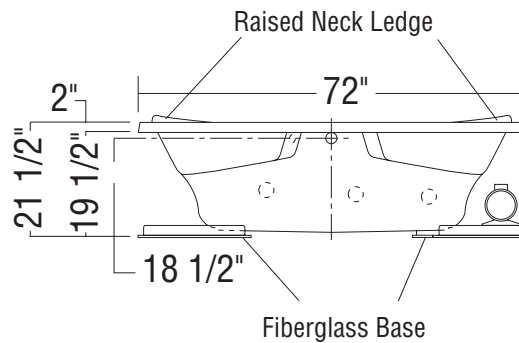
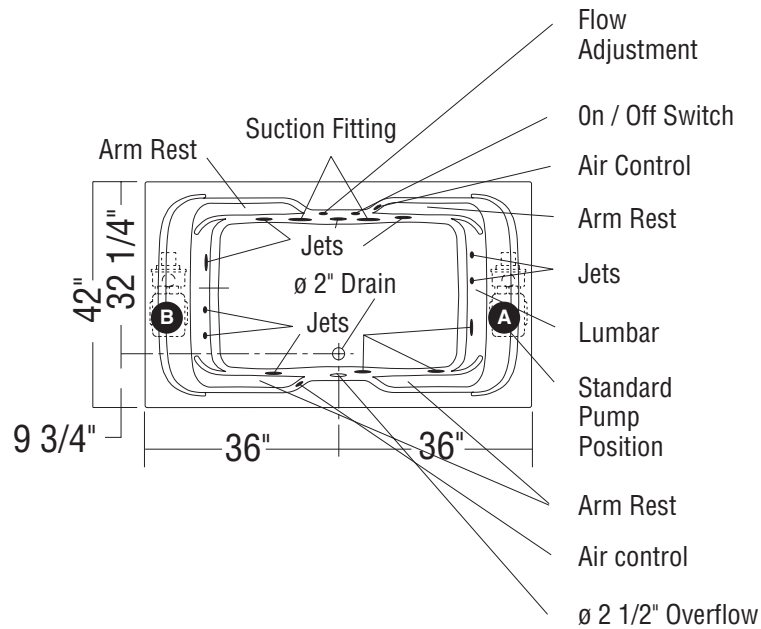
Date : .....

# TECHNICAL SPECIFICATIONS

## SBHG-4272

MODEL NUMBER 141108

### TECHNICAL DRAWINGS



12-jet Bodywrap System SBHG-4272 / BWS (illustrated)