

# TECHNICAL SPECIFICATIONS

## SPL 3636 AFR

**MODEL NUMBER 142027**

DIMENSIONS: 35 7/8" x 36" x 6 7/8" Gelcoat



### STANDARD FEATURES

- 3 3/8" Low threshold base
- (4 1/4") Above-the-Floor Rough available
- Integrated tiling flange
- Textured floor
- Center drain

### UNIQUE FEATURES

- Tiling Flange
- Above-the-Floor Rough (AFR)

### OPTIONS

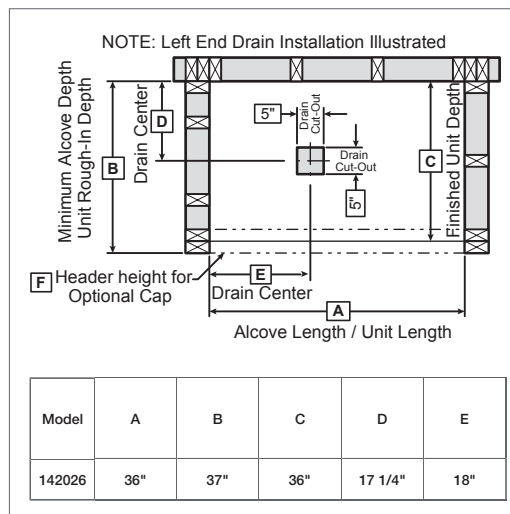
- None

### SYSTEMS

- None

### DOOR SELECTION

Combine with AKER's complete shower door offering visit [www.akerbymaax.com](http://www.akerbymaax.com)



Project : .....

Contractor : .....

AKER Representative : ..... Tel : .....

Date : .....

### CERTIFICATIONS

AKER products adhere to one or more of the following certifications:

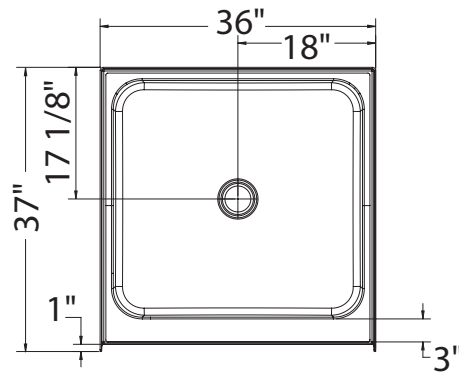


TECHNICAL SPECIFICATIONS

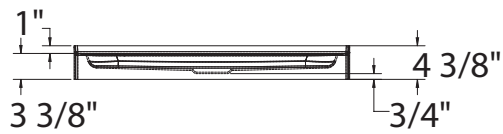
**SPL 3636 AFR**

MODEL NUMBER 142027

TECHNICAL DRAWINGS



NOT ABOVE-THE-FLOOR



ABOVE-THE-FLOOR

