

F6030STT - ANSI Compliant

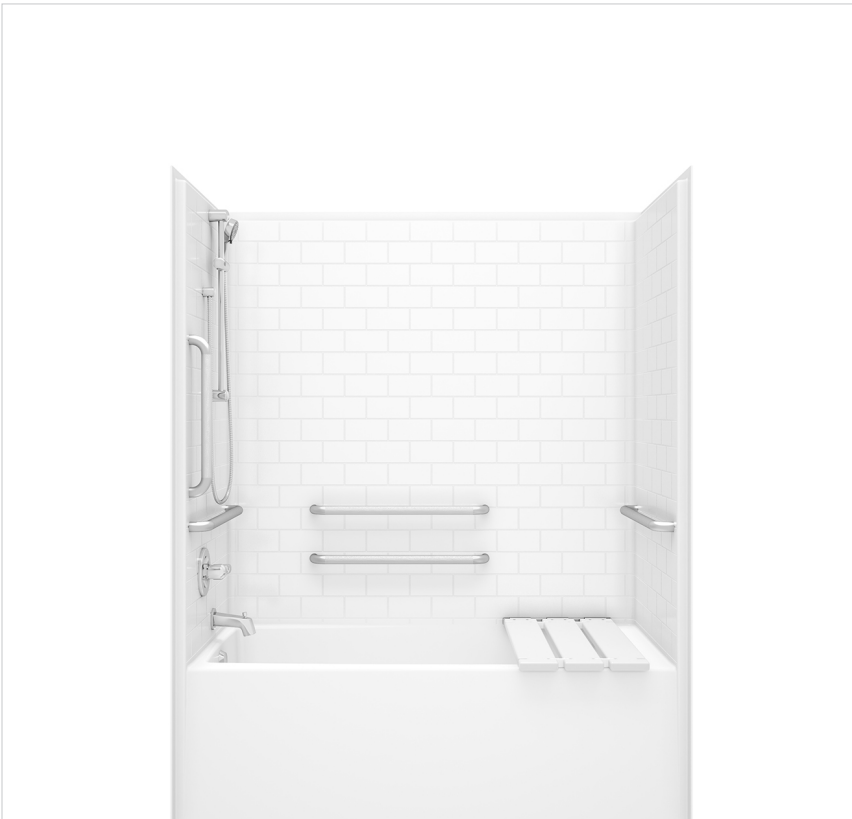
Model number:

141488

Dimensions: 60" x 31" x 74"

Installation: Alcove

Material: AcryIX™



Standard Features:

- 1-piece tub shower with subway tile design
- Configurable to be compliant with ANSI codes when properly installed
- 4 X 24 in. Horizontal Grab Bars & 1 x 18 in Vertical Grab Bar
- Removable Phenolic Seat
- Pressure Balance mixing valve and hand shower and slide bar
- Left or right-hand drain

Product characteristics:

- AcryIX™
- ANSI
- Lifetime Warranty

Warranty:

Lifetime limited

Standard colors:



White (002)



Bone (004)



Biscuit (007)

Certifications

ABG products adhere to one or more of the following certifications:



F6030STT - ANSI Compliant

Model number:

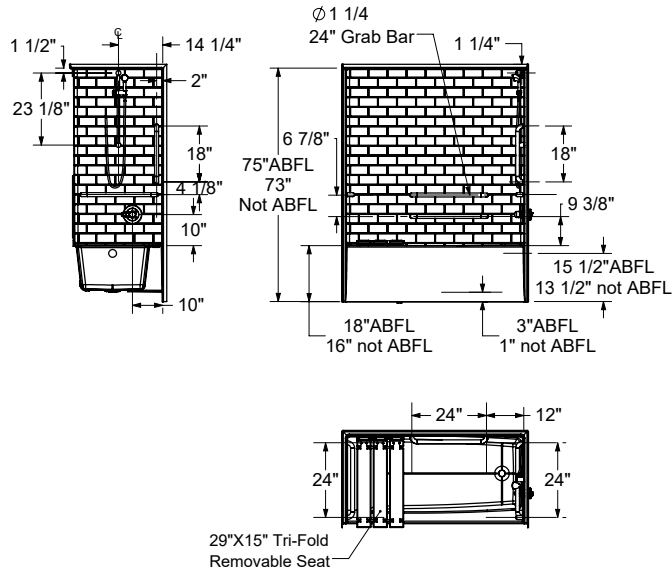
141488

Dimensions: 60" x 31" x 74"

Installation: Alcove

Material: AcrylX™

BASE MODEL WITH ANSI PACKAGE
RIGHT SIDE SHOWN
LEFT SIDE SYMMETRICAL



Dimensions:

60 x 31 1/4 x 74 1/4 in.

Water capacity:

41 gallons

Weight:

184 lbs

Bathing well:

42 1/4 X 25 1/2 in.

Deep sump height:

10 1/2 in.

Drain location:

Left

Right

Project:

Contractor:

Representative:

Date:

Tel:

Notes: