

# F6030STTM - ANSI Compliant

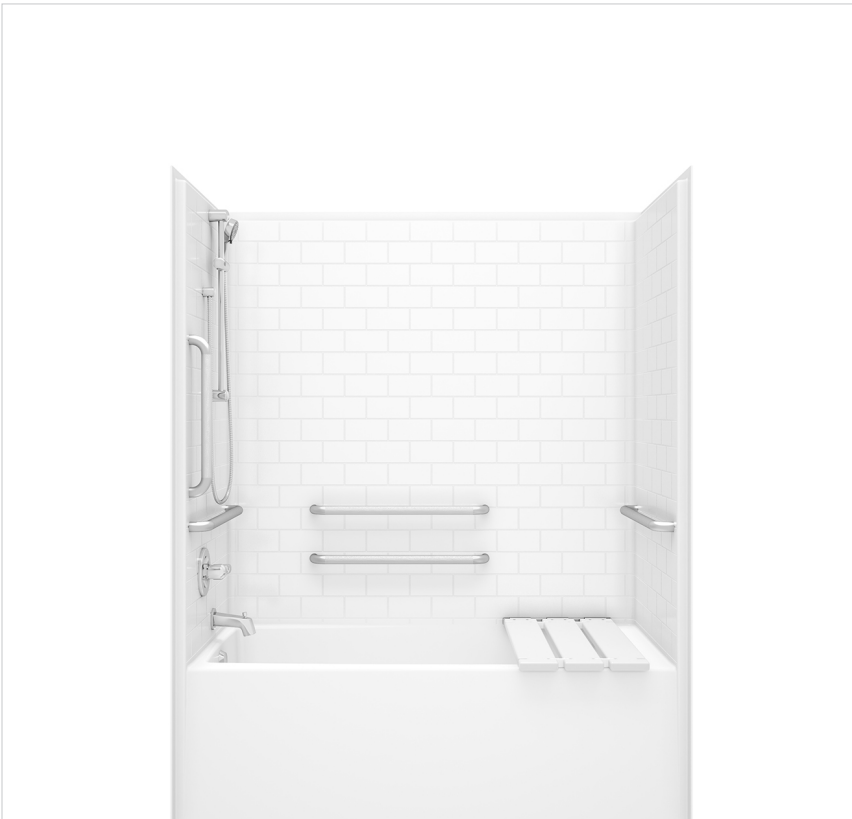
**Model number:**

141487

**Dimensions:** 60" x 31" x 76"

**Installation:** Alcove

**Material:** AcryIX™



## Standard Features:

- 1-piece tub shower with subway tile design
- Configurable to be compliant with ANSI codes when properly installed
- 4 X 24 in. Horizontal Grab Bars & 1 x 18 in Vertical Grab Bar
- Removable Phenolic Seat
- Pressure Balance mixing valve and hand shower and slide bar
- Left or right-hand drain

## Product characteristics:

- AcryIX™
- ANSI
- Above-the-Floor Rough (AFR)

## Warranty:

Lifetime limited

## Standard colors:



White (002)



Bone (004)



Biscuit (007)

## Certifications

ABG products adhere to one or more of the following certifications:



# F6030STTM - ANSI Compliant

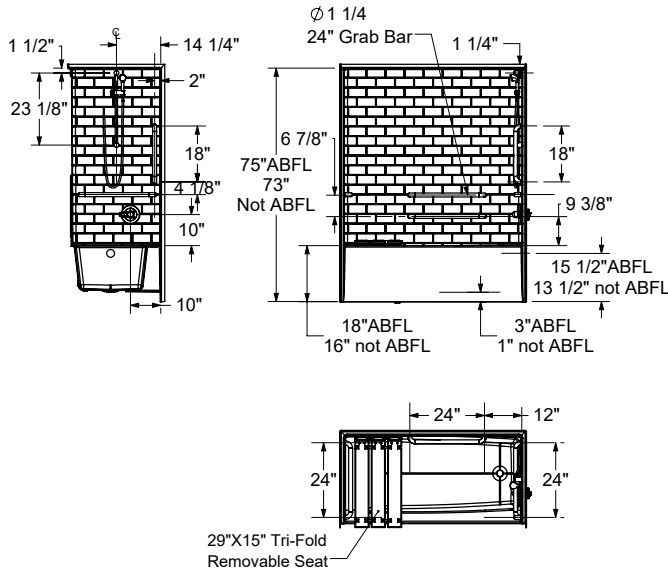
**Model number:** 141487

**Dimensions:** 60" x 31" x 76"

**Installation:** Alcove

**Material:** AcrylX™

BASE MODEL WITH ANSI PACKAGE  
RIGHT SIDE SHOWN  
LEFT SIDE SYMMETRICAL



**Dimensions:**

60 x 31 1/4 x 76 1/4 in.

**Water capacity:**

41 gallons

**Weight:**

187 lbs

**Bathing well:**

42 1/4 X 25 1/2 in.

**Deep sump height:**

10 1/2 in.

**Drain location:**

Left

Right

Project:

Contractor:

Representative:

Date:

Tel:

Notes: