

F6030STTM - ADA Compliant

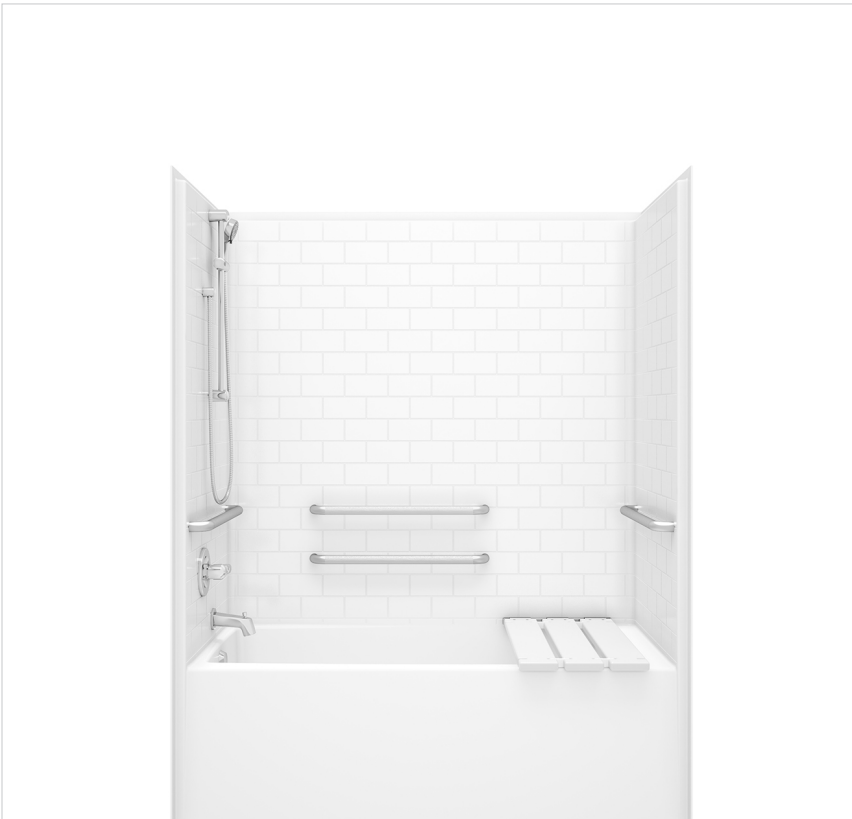
Model number:

141485

Dimensions: 60" x 31" x 76"

Installation: Alcove

Material: AcryIX™



Standard Features:

- 1-piece tub shower with subway tile design
- Configurable to be compliant with ADA codes when properly installed
- 4 X 24 in. Horizontal Grab Bar
- Removable Phenolic Seat
- Pressure Balance mixing valve and hand shower and slide bar
- Left or right-hand drain

Product characteristics:

- AcryIX™
- ADA
- Above-the-Floor Rough (AFR)

Warranty:

Lifetime limited

Standard colors:



White (002)



Bone (004)



Biscuit (007)

Certifications

ABG products adhere to one or more of the following certifications:



F6030STTM - ADA Compliant

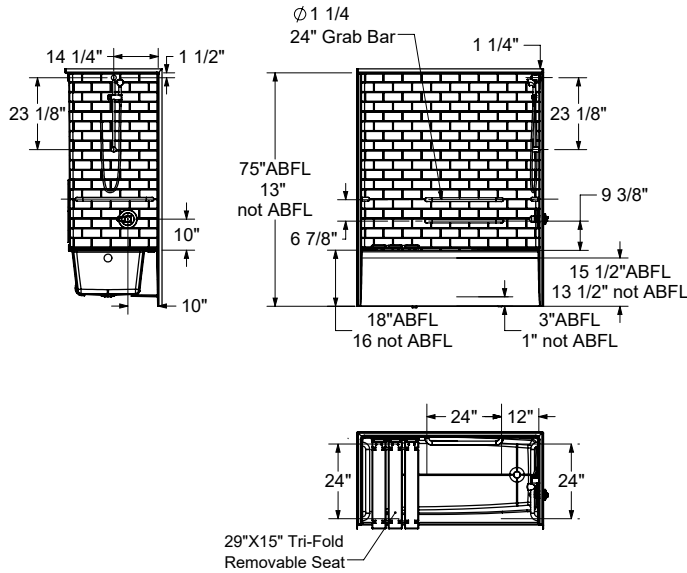
Model number: 141485

Dimensions: 60" x 31" x 76"

Installation: Alcove

Material: AcryIX™

BASE MODEL WITH ADA PACKAGE
RIGHT SIDE SHOWN
LEFT SIDE SYMMETRICAL



Dimensions:

60 x 31 1/4 x 76 1/4 in.

Water capacity:

41 gallons

Weight:

187 lbs

Bathing well:

42 1/4 X 25 1/2 in.

Deep sump height:

10 1/2 in.

Drain location:

Left

Right

All dimensions are approximate. Structure measurements must be verified against the unit to ensure proper fit.

Project:

Contractor:

Representative:

Date:

Tel:

Notes: