

GT-4260AP alcove bathtub

Model number:

141482

Dimensions: 60" x 42" x 27"

Installation: Alcove

Material: AcryIX™



Standard Features:

- 5 1/2 inch Wrap around splash
- Deck for faucet
- Center drain
- Alcove installation
- 16 7/8 inch sump

Product characteristics:

- Deck Space for Faucet
- Access Panel Available
- Wrap around splash

Systems:

WY Homestead

Warranty:

Lifetime limited

Standard colors:



White (002)



Bone (004)



Biscuit (007)

Certifications

ABG products adhere to one or more of the following certifications:



Options (Visit our website for a complete list of our options)

No	Description
<input type="checkbox"/> OPT 10172	In-line heater (factory-installed)
<input type="checkbox"/> OPT 10174	Pump position opposite standard position

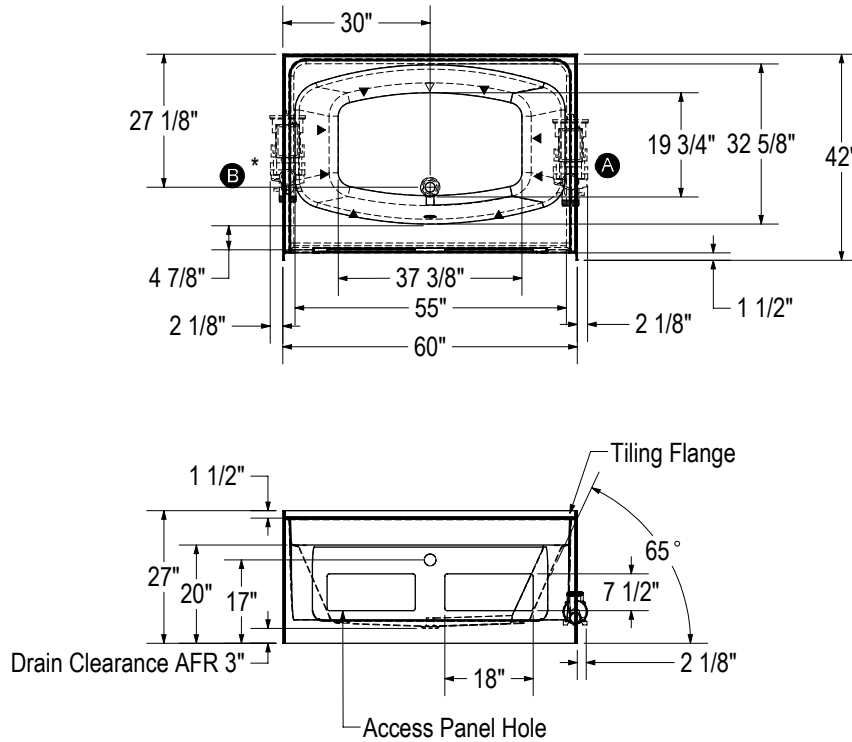
GT-4260AP alcove bathtub

Model number: 141482

Dimensions: 60" x 42" x 27"

Installation: Alcove

Material: AcrylX™



- Ⓐ : Indicate standard pump location
- Ⓑ : Indicate optional pump location *(must order Option in price guide)
- ▲ : Indicates whirlpool jet positioning
- ▽ : Indicates suction positioning

All dimensions are approximate. Structure measurements must be verified against the unit to ensure proper fit.

Dimensions:
60 x 42 x 27 in.
Water capacity:
60 gallons
Weight:
92 lbs
Bathing well:
55 X 32 5/8 in.
Deep sump height:
18 in.
Deck width:
4 7/8 in.
Drain location:
Center

Project:

Contractor:

Representative:

Date:

Tel:

Notes: