

# FHA 3838 RF

**Model number:**

141479

**Dimensions:** 40" x 40" x 79"

**Installation:** Alcove

**Material:** AcrylX™



## Standard Features:

- Available in the Midwest
- One-piece AcrylX™ shower
- Constructed to comply with the guidelines of the Fair Housing Act Design Manual
- Center drain
- Textured bottom
- Low 3 1/2" threshold for safe in and out access
- Single return flange to allow to meet 48" x

## Product characteristics:

- One-Piece Unit
- Integrated Shelving
- Low Threshold

## Warranty:

Lifetime limited

## Code Compliant:

ANSI|FHA

## Standard colors:



White (002)



Bone (004)



Biscuit (007)

## Certifications

ABG products adhere to one or more of the following certifications:



## Options (Visit our website for a complete list of our options)

No	Description
<input type="checkbox"/> OPT 20203-VL	18" Modern straight vertical grab bar on left wall(factory installed)
<input type="checkbox"/> OPT 20203-VR	18" Modern straight vertical grab bar on right wall(factory installed)
<input type="checkbox"/> OPT 20204-HB	24" Modern straight horizontal grab bar on back wall(factory installed)
<input type="checkbox"/> OPT 20204-HL	24" Modern straight horizontal grab bar on left wall(factory installed)
<input type="checkbox"/> OPT 20204-HR	24" Modern horizontal straight grab bar on right wall(factory installed)

# FHA 3838 RF

**Model number:**

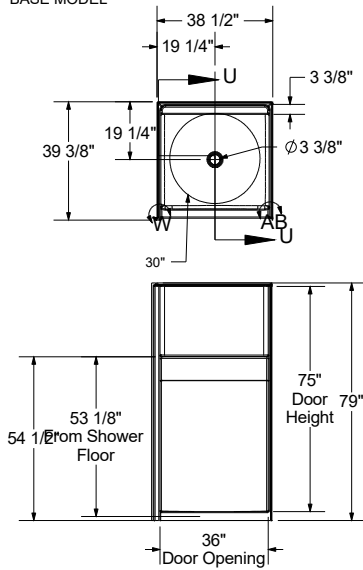
**141479**

**Dimensions:** 40" x 40" x 79"

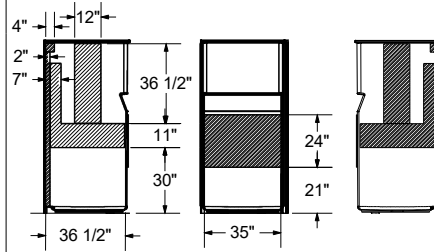
**Installation:** Alcove

**Material:** AcrylX™

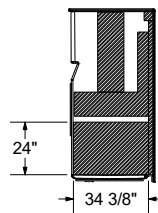
BASE MODEL



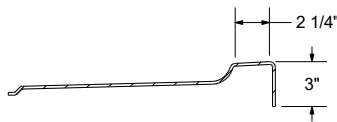
STANDARD REINFORCEMENT BACKING



SEAT OPTIONAL REINFORCEMENT BACKING



THRESHOLD DETAIL



- All dimensions are approximate
- Structure measurements must be verified against the unit to ensure proper fit
- Installation to be completed in accordance with manufacturers specifications
- Do not scale drawings

**Dimensions:**

40 x 40 1/8 x 79 in.

**Weight:**

110 lbs -

**Shape:**

Square

**Pieces:**

1

**Drain location:**

- Left Return Flange, Center
- Right Return Flange, Center

Project:

Contractor:

Representative:

Date:

Tel:

Notes: