

OPS-6036 - ANSI Grab Bar and seat shower

Model number:

141463

Dimensions: 63" x 39" x 79"

Installation: Alcove

Material: AcrylX™



Standard Features:

- 1-piece roll-in shower reinforced according to FHA accessibility requirements
- One horizontal L-shaped grab bar (33" x 37"), one 18" vertical grab bar and one L-shaped fold up phenolic white seat
- Center drain, textured bottom
- 1 1/8" skirt and 1/2" high threshold
- Base model with ANSI grab bars and seat

Product characteristics:

- One-Piece Unit
- ADA-ANSI
- Grab Bars & Seats Available

Warranty:

Lifetime limited

Code Compliant:

ANSI

Standard colors:



White (002)



Bone (004)



Biscuit (007)

Certifications

ABG products adhere to one or more of the following certifications:



Options (Visit our website for a complete list of our options)

No	Description
<input type="checkbox"/> OPT 20259	60" Curtain rod
<input type="checkbox"/> OPT 20059-084	Recessed soap dish (Drilled, not installed) in chrome

OPS-6036 - ANSI Grab Bar and seat shower

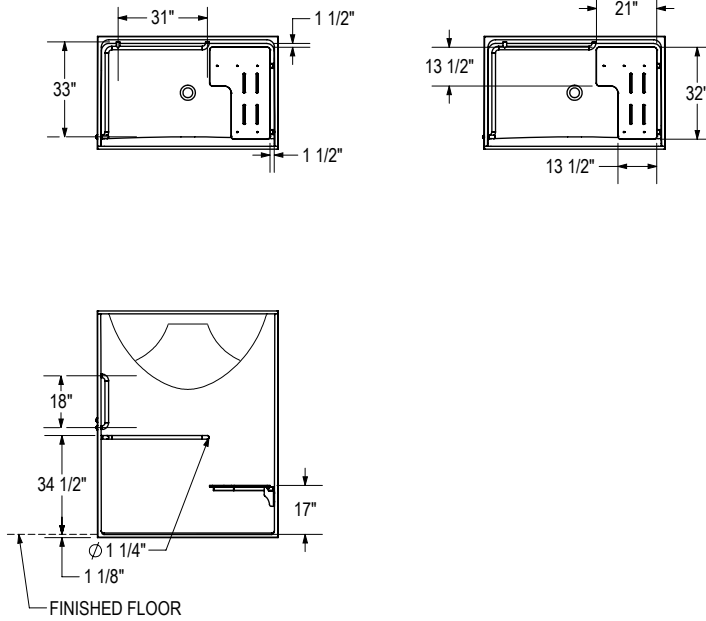
Model number: 141463

Dimensions: 63" x 39" x 79"

Installation: Alcove

Material: AcryIX™

BASE MODEL ANSI L-SHAPED GRAB BAR & SEAT
LEFT SIDE SHOWN
RIGHT SIDE SYMMETRICAL



Dimensions:

62 7/8 x 39 1/4 x 78 3/4 in.

Weight:

225 lbs -

Shape:

Rectangular

Pieces:

1

Drain location:

- Left-hand grab bar, center
- Right-hand grab bar, center

All dimensions are approximate. Structure measurements must be verified against the unit to ensure proper fit.

Project:

Contractor:

Representative:

Date:

Tel:

Notes: