

Icon Base 7236

Model number:

141450

Dimensions: 72" x 36" x 4"

Installation:

Material: AcrylX™



Standard Features:

- Low Threshold Shower Base
- ArmorCore Reinforcement
- Integrated Weep Holes
- Textured Floor
- Center Drain

Product characteristics:

- AcrylX™
- Modern minimalist design
- Integrated Weep Holes

Warranty:

Standard colors:



Certifications

ABG products adhere to one or more of the following certifications:



Icon Base 7236

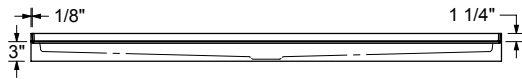
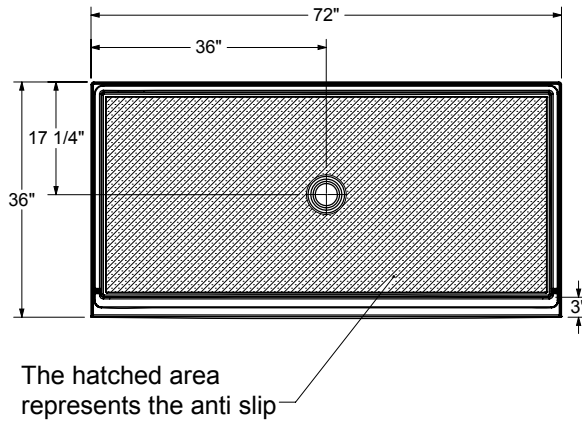
Model number:

141450

Dimensions: 72" x 36" x 4"

Installation:

Material: AcryIX™



All dimensions are approximate. Structure measurements must be verified against the unit to ensure proper fit.

Dimensions:

72 x 36 x 4 1/4 in.
(1828.8 x 914.4 x 108 mm)

Weight:

91 lbs (41.2698412698413 kg)

Shape:

Rectangular

Drain location:

Center

Installation:

Alcove

Project:

Contractor:

Representative:

Date:

Tel:

Notes: