

Icon Base 4236

Model number:

141436

Dimensions: 42" x 36" x 4"

Installation:

Material: AcryIX™



Standard Features:

- Low Threshold Shower Base
- ArmorCore Reinforcement
- Integrated Weep Holes
- Textured Floor
- Center Drain

Product characteristics:

- AcryIX™
- Modern minimalist design
- Integrated Weep Holes

Warranty:

Standard colors:



Certifications

ABG products adhere to one or more of the following certifications:



Icon Base 4236

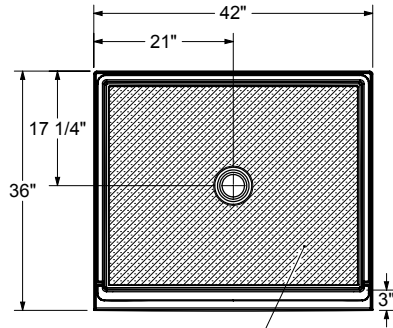
Model number:

141436

Dimensions: 42" x 36" x 4"

Installation:

Material: AcryIX™



The hatched area represents the anti slip



All dimensions are approximate. Structure measurements must be verified against the unit to ensure proper fit.

Dimensions:

42 x 36 x 4 1/4 in.
(1066.8 x 914.4 x 108 mm)

Weight:

55 lbs (24.9433106575964 kg)

Shape:

Rectangular

Drain location:

Center

Installation:

Alcove

Project:

Contractor:

Representative:

Date:

Tel:

Notes: