

Icon Base 3642

Model number:

141434

Dimensions: 36" x 42" x 4"

Installation:

Material: AcryIX™



Standard Features:

- Low Threshold Shower Base
- ArmorCore Reinforcement
- Integrated Weep Holes
- Textured Floor
- Center Drain

Product characteristics:

- AcryIX™
- Modern minimalist design
- Integrated Weep Holes

Warranty:

Standard colors:



Certifications

ABG products adhere to one or more of the following certifications:



Icon Base 3642

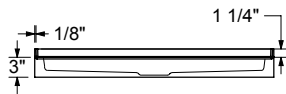
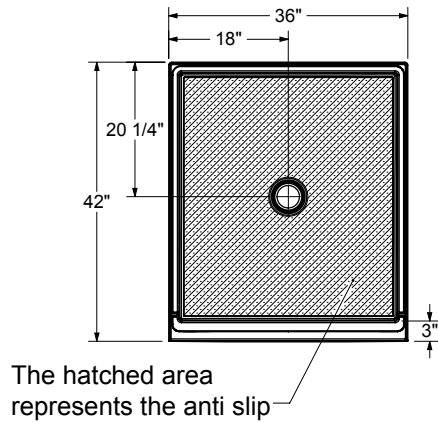
Model number:

141434

Dimensions: 36" x 42" x 4"

Installation:

Material: AcryIX™



All dimensions are approximate. Structure measurements must be verified against the unit to ensure proper fit.

Dimensions:

36 x 42 x 4 1/4 in.
(914.4 x 1066.8 x 108 mm)

Weight:

55 lbs (24.9433106575964 kg)

Shape:

Rectangular

Drain location:

Center

Installation:

Alcove

Project:

Contractor:

Representative:

Date:

Tel:

Notes: