

SPL-3838 shower pan

Model number:

141421

Dimensions: 38" x 38" x 5"

Installation:

Material: AcryIX™



Standard Features:

- 4 inch low threshold base
- Integrated tiling flange
- Center drain
- Textured floor finish
- Superior base strength with ArmorCore™ reinforcement
- 36 x 36 inch Clear inside dimensions

Product characteristics:

- Fair Housing Act (FHA)
- Low Threshold
- Textured Bottom Surface

Warranty:

Lifetime limited

Code Compliant:

ANSI|FHA

Standard colors:



White (002)



Bone (004)



Biscuit (007)

Certifications

ABG products adhere to one or more of the following certifications:



SPL-3838 shower pan

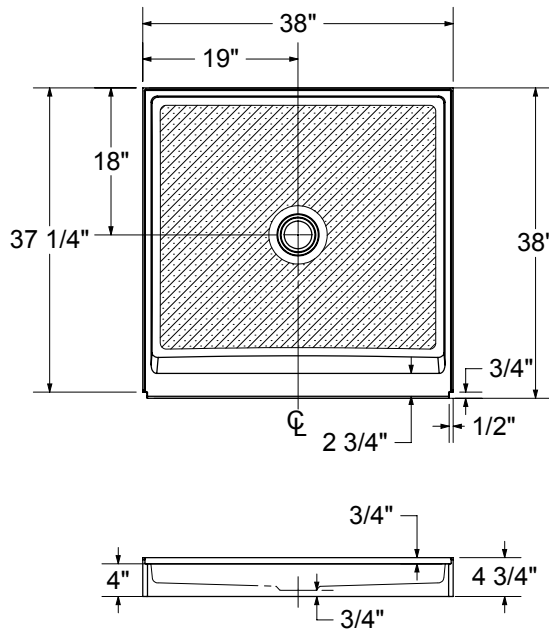
Model number:

141421

Dimensions: 38" x 38" x 5"

Installation:

Material: AcrylX™



Dimensions:

38 x 38 x 4 3/4 in.
(965.2 x 965.2 x 120.7 mm)

Weight:

30 lbs (13.6 kg)

Shape:

Square

Drain location:

Center

Installation:

Alcove

All dimensions are approximate. Structure measurements must be verified against the unit to ensure proper fit.

Project:

Contractor:

Representative:

Date:

Tel:

Notes: