

# SMIN-3060 AFR

**Model number:**

141419

**Dimensions:** 60" x 31" x 21"

**Installation:** Alcove

**Material:** AcrylX™

## Standard Features:

- Modern minimalist and comfortable design
- Integrated flat skirt and tiling flange
- Textured bottom
- Available in Above-the-Floor Rough (AFR) or not

## Product characteristics:

- Integrated Tiling Flange and Skirt
- Modern minimalist design
- Textured Floor

## Warranty:

Lifetime limited



## Standard colors:



White (002)



Bone (004)



Biscuit (007)

## Certifications

ABG products adhere to one or more of the following certifications:

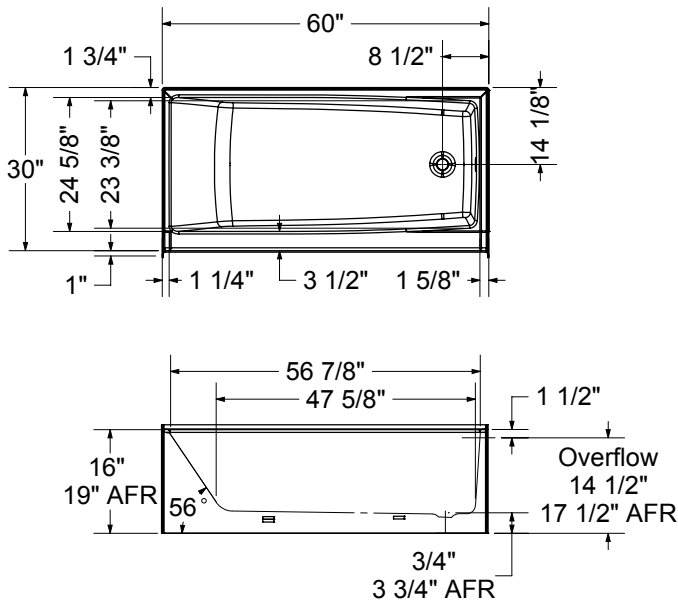


# SMIN-3060 AFR

**Model number:** 141419

**Dimensions:** 60" x 31" x 21"      **Installation:** Alcove

**Material:** AcrylX™



**Dimensions:**

60 x 31 1/4 x 20 1/2 in.

**Water capacity:**

51 gallons

**Weight:**

71 lbs

**Bathing well:**

47 5/8 X 23 3/8 in.

**Deep sump height:**

in.

**Deck width:**

3 1/2 in.

**Drain location:**

Left

Right

All dimensions are approximate. Structure measurements must be verified against the unit to ensure proper fit.

Project:

Contractor:

Representative:

Date:

Tel:

Notes: