

OPS-3636-RS RRF - Base Model Shower

Model number:

141407

Dimensions: 39" x 39" x 79"

Installation: Alcove

Material: AcryIX™



Standard Features:

- One-piece transfer shower reinforced according to FHA accessibility requirements
- Configurable to be compliant with major accessibility codes when properly installed
- Outward facing return flanges
- Center drain
- Textured bottom
- 3/4 inch reduced skirt and 1/2 inch high threshold

Product characteristics:

- One-Piece Unit
- ADA-ANSI
- Grab Bars & Seats Available

Warranty:

Lifetime limited

Standard colors:



White (002)



Bone (004)



Biscuit (007)

Certifications

ABG products adhere to one or more of the following certifications:



Options (Visit our website for a complete list of our options)

No	Description
<input type="checkbox"/> OPT 10225	36" Chrome curtain rod
<input type="checkbox"/> OPT 20059-084	Recessed soap dish (Drilled, not installed) in chrome

OPS-3636-RS RRF - Base Model Shower

Model number:

141407

Dimensions: 39" x 39" x 79"

Installation: Alcove

Material: AcrylX™

Dimensions:

38 3/4 x 39 x 78 3/4 in.

Weight:

162 lbs -

Shape:

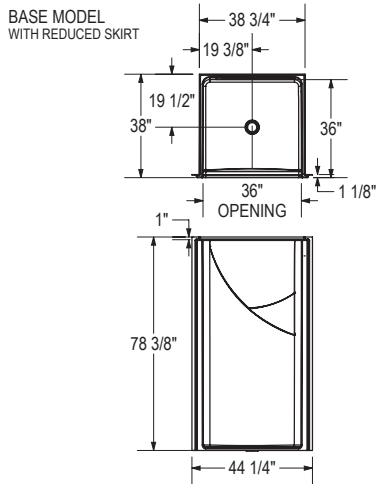
Square

Pieces:

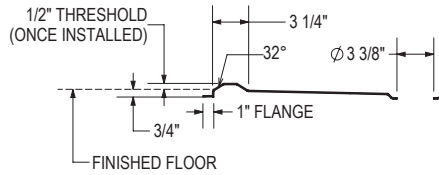
1

Drain location:

No seat, center drain



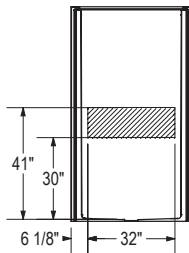
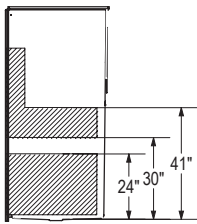
THRESHOLD DETAIL (REDUCED SKIRT)



REINFORCEMENT BACKING

RIGHT WALL SHOWN
LEFT WALL SYMMETRICAL

BACK WALL



All dimensions are approximate. Structure measurements must be verified against the unit to ensure proper fit.

Project:

Contractor:

Representative:

Date:

Tel:

Notes: